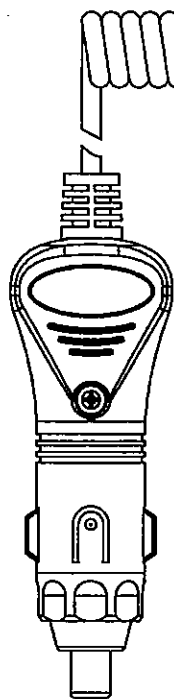
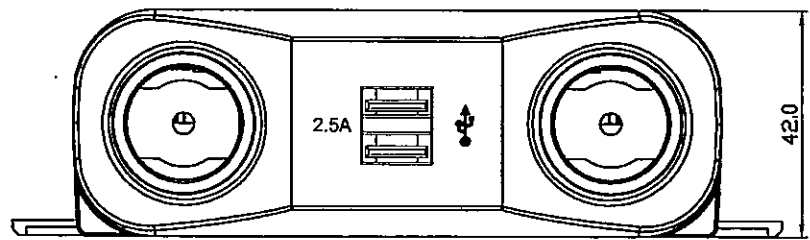
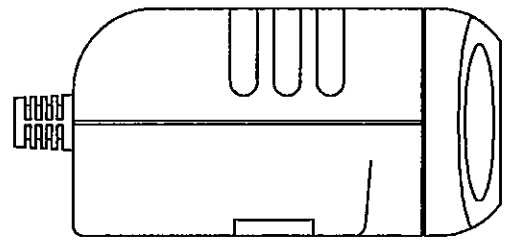
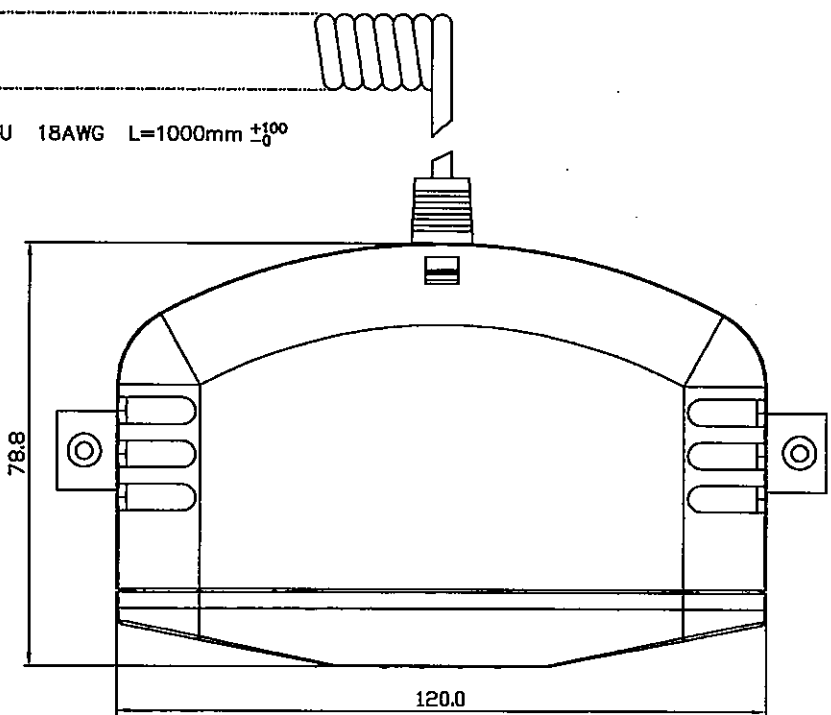


Rating	Input	12/24 V DC 10A MAX
	Output	USB socket - 5V 2.5A max.
Insulation Resistance	DC 500V 100M ohm Min.	
Operation Temperature	-0°C~40°C	
Storage temperature	-20°C~60°C	



PU 18AWG L=1000mm ±100



Note:
 1.12 / 24V DC 10A Max.
 2.2 hole USB socket 2.5A Max.
 3.18AWG 1 M PU reel
 4.SCI NO:1251290

原稿
 2015.4.-9
 研發部

			△	Drawing	Check	Approval	SCI No.	1251290	Model Name	Automotive Extension Sockets
			△	104	3.31	104	A.O	Customer No.	Model No.	A13-75A149B-D3
Date	Name	Descriptions	NO	蘇承民	余啓明	Unit	mm	SHIN CHIN INDUSTRIAL CO., LTD.		