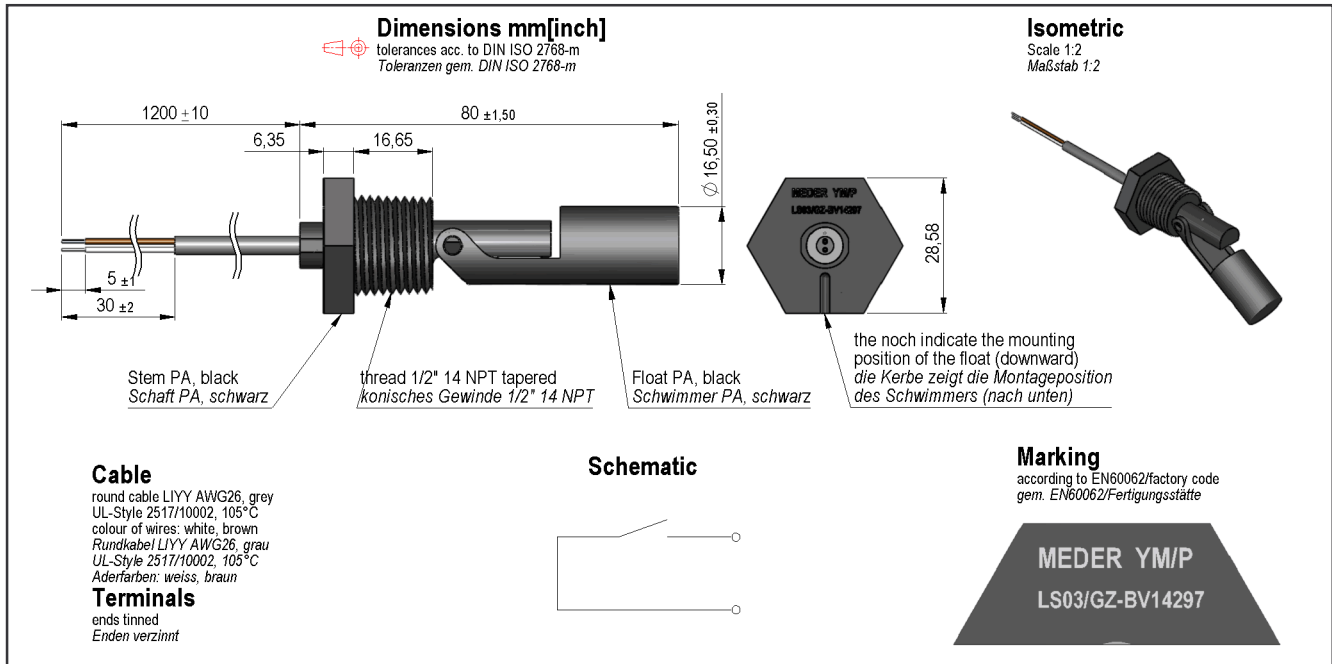


Preliminary Datasheet



| Contact data 66 | Conditions | Min | Typ | Max | Unit |
|----------------------------|---|-----|-----|------|------|
| Contact-No. | | | | 66 | |
| Contact-form | | | | A | |
| Contact rating | Any DC combination of V & A not to exceed their individual max.'s | | | 10 | W |
| Switching voltage (<21 AT) | DC or Peak AC | | | 180 | V |
| Switching current | DC or Peak AC | | | 0,5 | A |
| Carry current | DC or Peak AC | | | 1,25 | A |

| Special Product Data | Conditions | Min | Typ | Max | Unit |
|-------------------------|------------|-----|-----|----------------|------|
| Contact - form | | | | A - NO | |
| Sensor-resistance | | | | 500 | mOhm |
| Housing material LS | | | | Nylon/Polyamid | |
| Material of float | | | | Polyamid/Nylon | |
| Case colour | | | | black | |
| Sealing compound | | | | Polyurethan | |
| Reach / RoHS conformity | | | | yes | |

| Environmental data | Conditions | Min | Typ | Max | Unit |
|-----------------------|-------------------|-----|-----|-----|------|
| Shock | | | | 50 | g |
| Vibration | from 10 - 1200 Hz | | | 20 | g |
| Operating temperature | | -30 | | | °C |
| Operating temperature | | -5 | | | °C |
| Storage temperature | | -30 | | | °C |

| Cable specification | Conditions | Min | Typ | Max | Unit |
|---------------------------|------------|-----|-----|-------------|------|
| Cable type | | | | round cable | |
| Cable material | | | | PVC | |
| Cross section | | | | AWG 26 | |
| Temperature range moved | | -10 | | 105 | °C |
| Temperature range unmoved | | -30 | | 105 | °C |

| General data | Conditions | Min | Typ | Max | Unit |
|-----------------|------------|-----|-----|---|------|
| Mounting advice | | | | over 5m cable, a resistor is recommended. | |