

THIS DRAWING IS UNPUBLISHED.

RELEASED FOR PUBLICATION

© COPYRIGHT 19

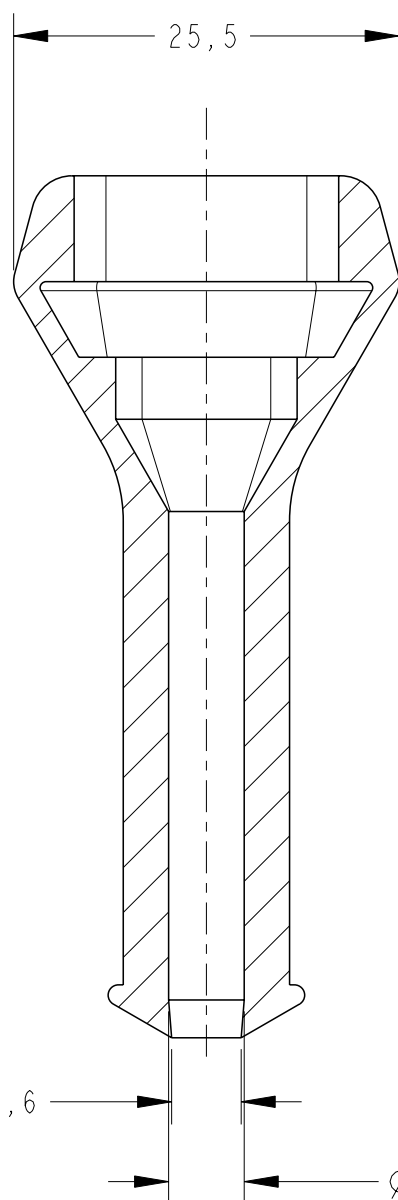
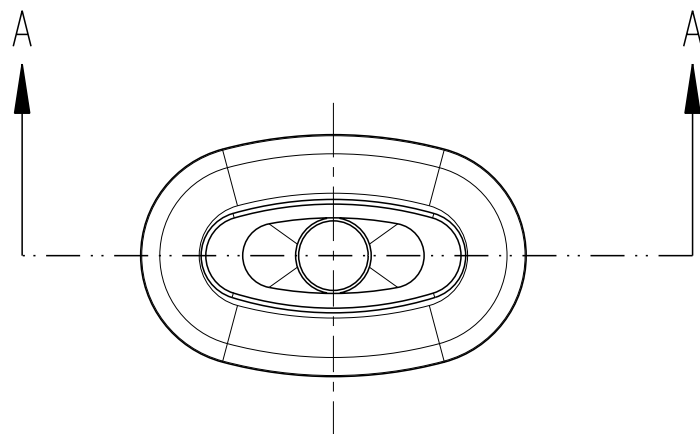
ALL RIGHTS RESERVED.

LOC
AP

DIST
-

REVISIONS

P	LTR	DESCRIPTION	DATE	DWN	APVD
	C	REVISED BY ECO-07-018018	04SEP2007	RKTL	LWP
	D	CHANGED STATUS ECO-11-009754	22JUN2011	MAS	MG



SECTION A-A

- ⓑ $\triangle 1$ - ELASTÔMERO SAE J200, 2BC 414, A14, B14, C12, E014, F17, Z1
Z1=RESISTÊNCIA RASGO, ASTM D624 - 20kg/cm MIN.
- ⓑ $\triangle 2$ - ELASTÔMERO SAE J200, 2BC 514, A14, B14, C12, E014, F17, Z1
Z1=RESISTÊNCIA RASGO, ASTM D624 - 20kg/cm MIN.
- ⓒ $\triangle 3$ - ELASTOMERO SAE J 200M, 2GE, 405, A19, B37, EA14, E016, E036, F19, G11, Z1 Z1 = EXTERNAMENTE LUBRIFICADO 2%

- $\triangle 1$ - ELASTOMER SAE J200, 2BC 414, A14, B14, C12, E014, F17, Z1
Z1= TEAR RESISTANCE, ASTM D624 -20kg/cm MIN.
- $\triangle 2$ - ELASTOMER SAE J200, 2BC 514, A14, B14, C12, E014, F17, Z1
Z1= TEAR RESISTANCE, ASTM D624 -20kg/cm MIN.
- $\triangle 3$ - ELASTOMER SAE J 200M, 2GE, 405, A19, B37, EA14, E016, E036, F19, G11, Z1 Z1 = 2% LUBRIFICATED EXTERNALY

ⓐ	PRETO/BLACK	40±5 SHORE A	SILICON $\triangle 3$	880811-3
	PRETO/BLACK	40±5 SHORE A	ELASTOMER $\triangle 1$	880811-2
ⓑ	PRETO/BLACK	50±5 SHORE A	ELASTOMER $\triangle 2$	880811-1
	FINISH	HARDNESS	MATERIAL	PART NUMBER

THIS DRAWING IS A CONTROLLED DOCUMENT.		DWN M.L. OGAWA 10JUN99	STE TE Connectivity	
DIMENSIONS: mm		CHK P.L.FARIA 10JUN99		
TOLERANCES UNLESS OTHERWISE SPECIFIED:		APVD J.M.M. NETO 10JUN99	NAME COVER CAP 3 POSN	
0 PLC ±-		PRODUCT SPEC	-	
1 PLC ±0,3		APPLICATION SPEC	-	
2 PLC ±-		WEIGHT	-	
3 PLC ±-		CUSTOMER DRAWING	SIZE A3	CAGE CODE 00779
4 PLC ±-		FINISH	DRAWING NO C-880811	RESTRICTED TO
ANGLES ±°			SCALE 2:1	SHEET 1 OF 1
MATERIAL SEE TABLE				REV D

