



**Model Number**

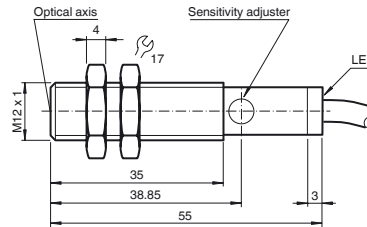
**GLV12-54/36/40b/115**

Retroreflective sensor with polarization filter  
with 2 m fixed cable

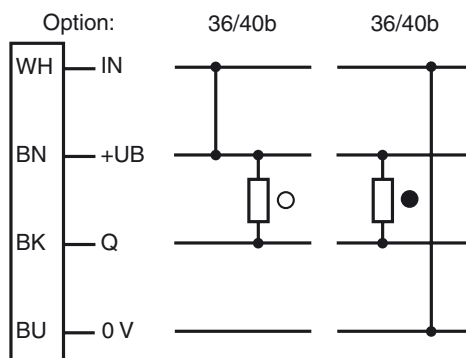
**Features**

- M12 threaded housing made of brass, nickel plated
- Glare protected with polarization filter
- Visible red light
- Light/dark ON, programmable
- Protection degree IP67

**Dimensions**



**Electrical connection**



○ = Light on  
● = Dark on

Release date: 2011-08-22 14:54 Date of issue: 2011-08-22 085982\_eng.xml

**Technical data****General specifications**

Effective detection range	0 ... 1000 mm
Reflector distance	50 ... 1000 mm
Threshold detection range	1200 mm
Reference target	H85 reflector
Light source	LED, 660 nm
Light type	modulated visible red light
Approvals	CE
Ambient light limit	20000 Lux

**Indicators/operating means**

Function display	LED yellow: switching state
Controls	sensitivity adjustment

**Electrical specifications**

Operating voltage	$U_B$	10 ... 30 V DC
Ripple		10 %
No-load supply current	$I_0$	$\leq 20$ mA
Time delay before availability	$t_v$	$\leq 25$ ms

**Input**

Control input	light on +UB dark on: 0 V
---------------	------------------------------

**Output**

Switching type	light/dark on	
Signal output	1 NPN output, short-circuit protected, reverse polarity protected, open collector	
Switching voltage	max. 30 V DC	
Switching current	max. 300 mA	
Voltage drop	$U_d$	$\leq 3$ V
Switching frequency	$f$	$\leq 700$ Hz
Response time		$\leq 0.7$ ms

**Standard conformity**

Standards	EN 60947-5-2
-----------	--------------

**Ambient conditions**

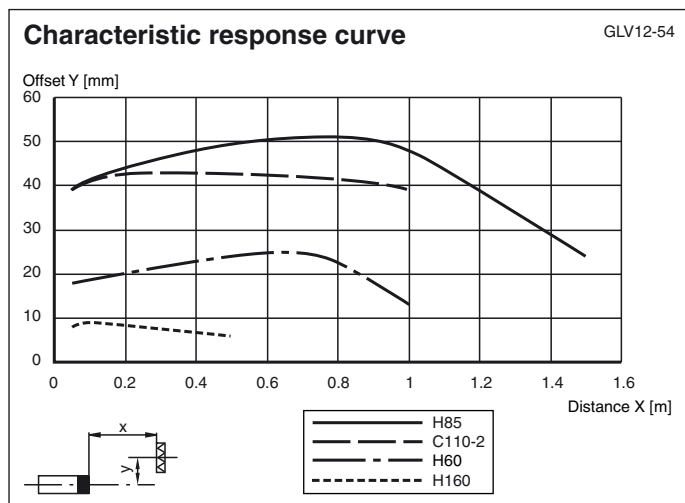
Ambient temperature	-25 ... 55 °C (-13 ... 131 °F)
Storage temperature	-40 ... 70 °C (-40 ... 158 °F)

**Mechanical specifications**

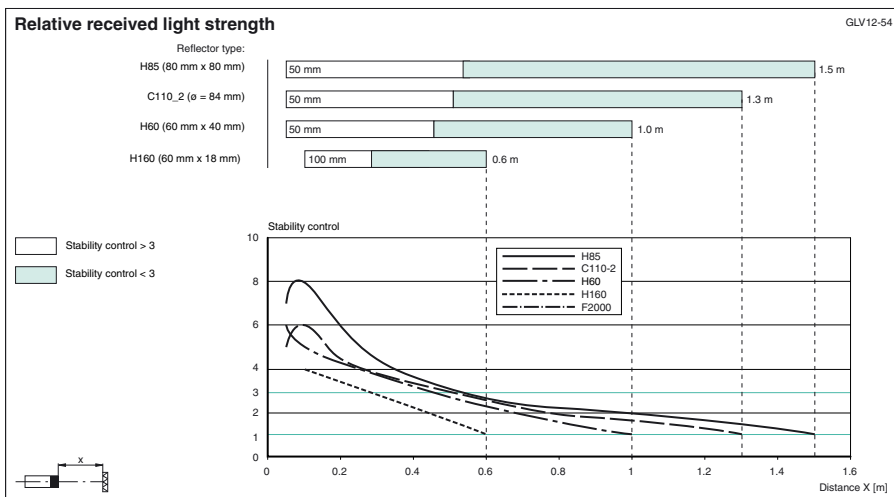
Protection degree	IP67
Connection	2 m fixed cable
Material	
Housing	brass, nickel-plated
Optical face	PMMA
Mass	45 g

**Approvals and certificates**

CCC approval	Products with a maximum operating voltage of $\leq 36$ V do not bear a CCC marking because they do not require approval.
--------------	--

**Curves/Diagrams**

Suitable reflectors and cable sockets can be found in the Internet



Release date: 2011-08-22 14:54 Date of issue: 2011-08-22 085982\_eng.xml