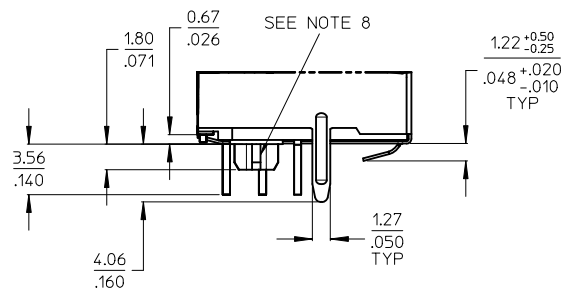
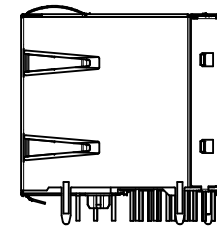
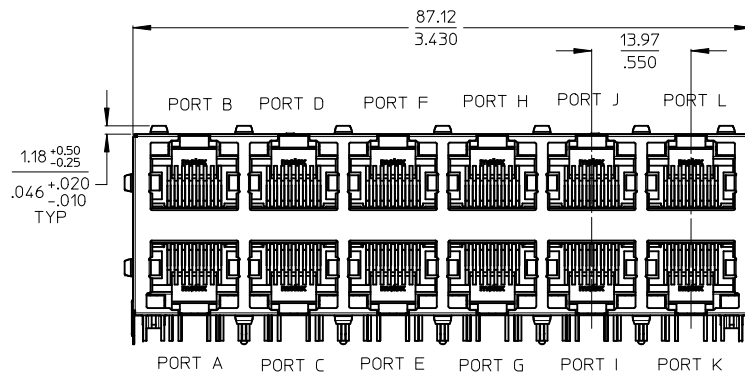
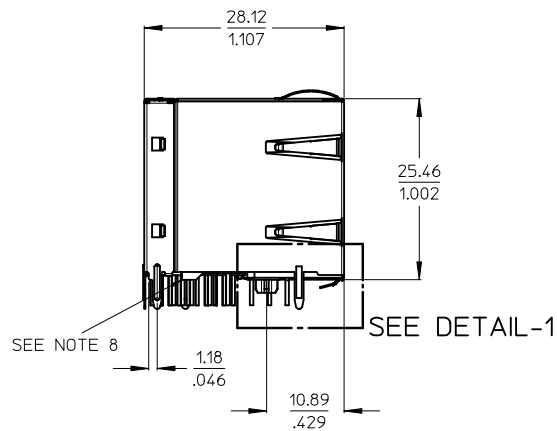
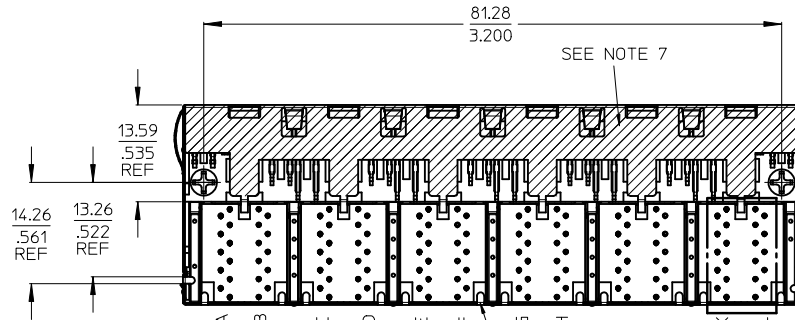


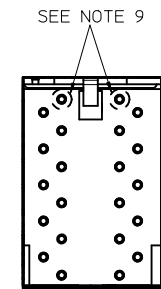
GIGABIT MAGNETIC JACK 2x6 LED



DETAIL-1
SCALE 4:1



SEE DETAIL-4

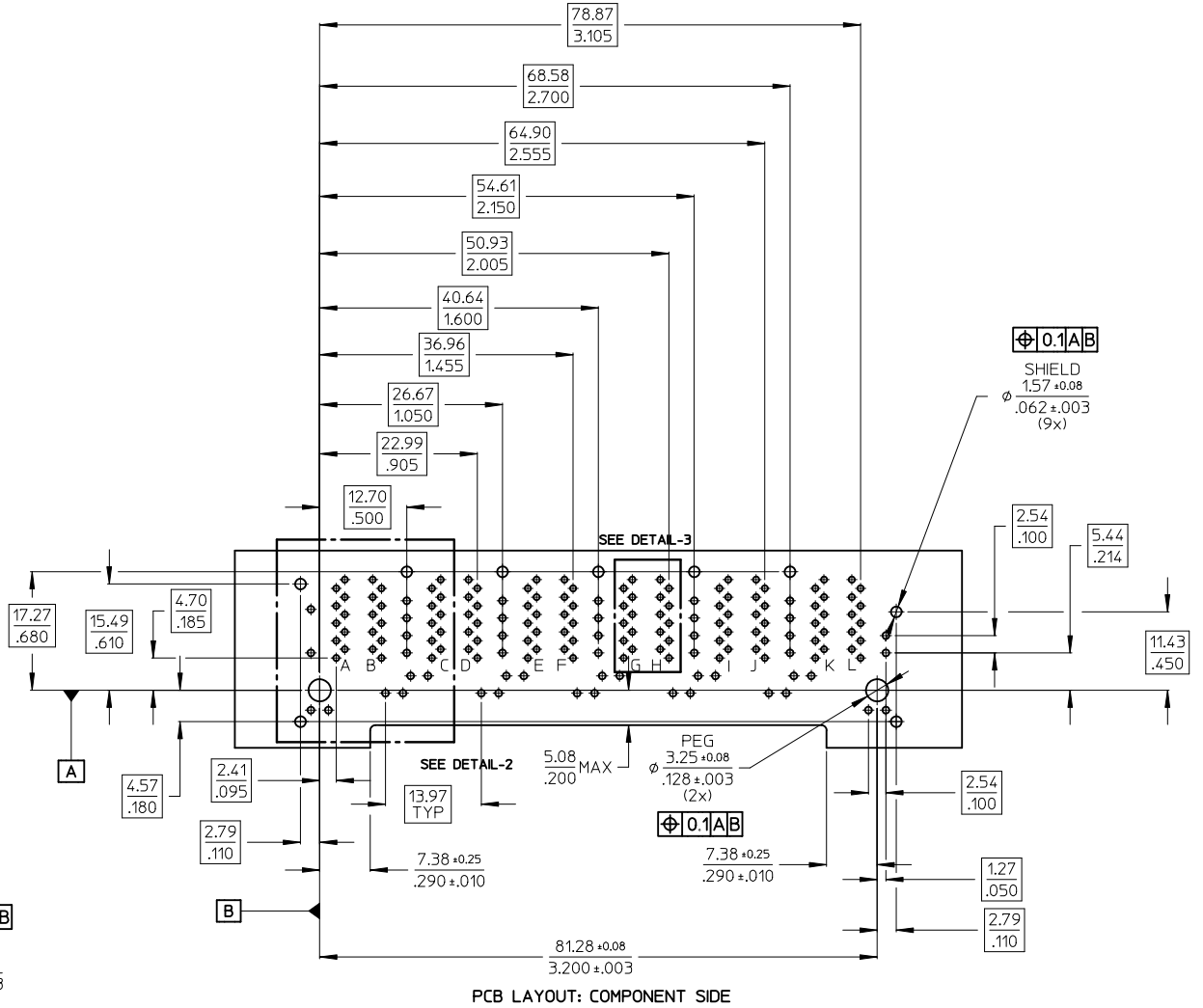
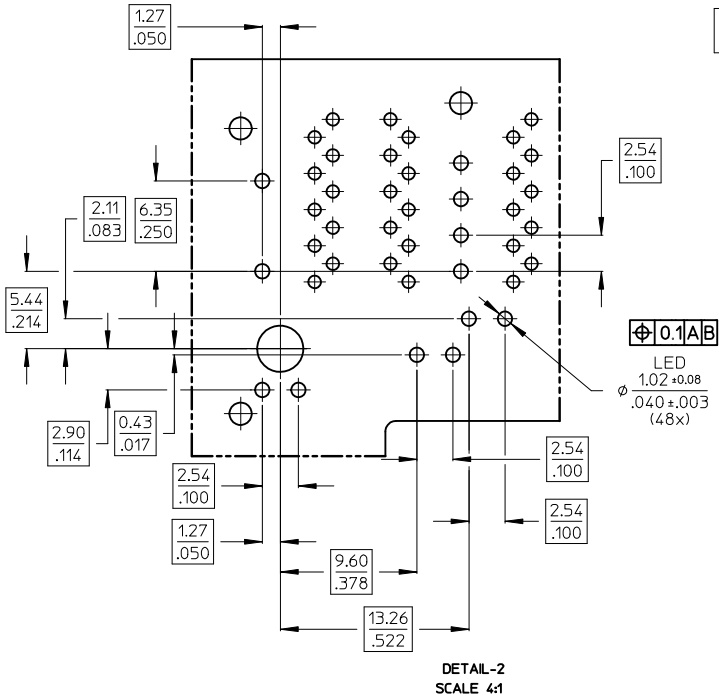
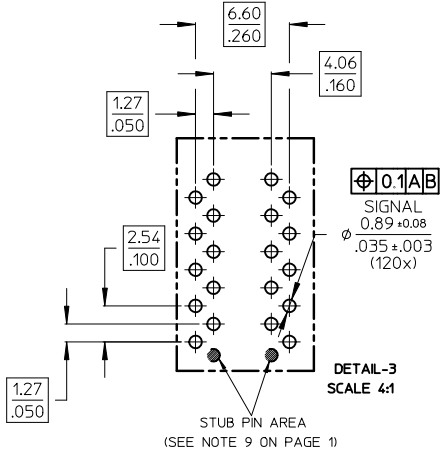


DETAIL-4
SCALE 4:1

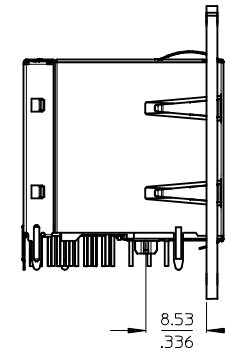
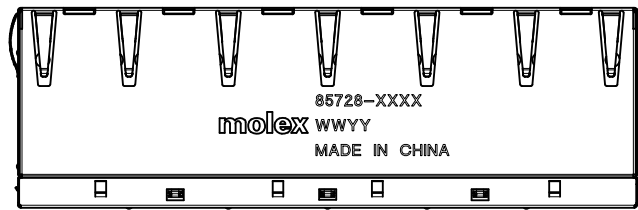
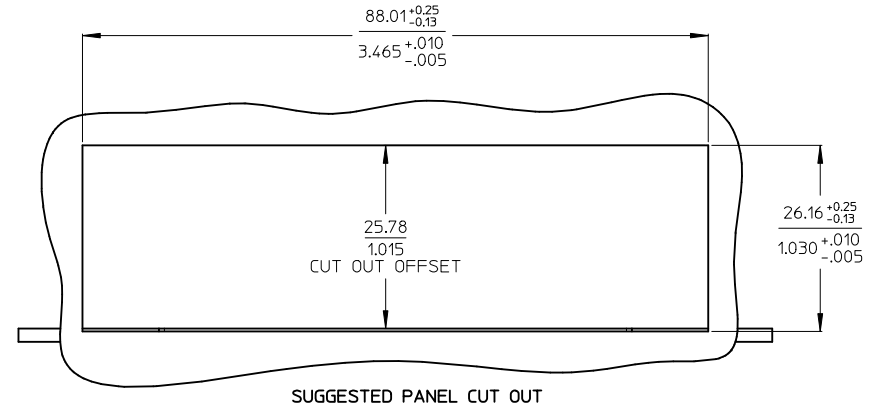
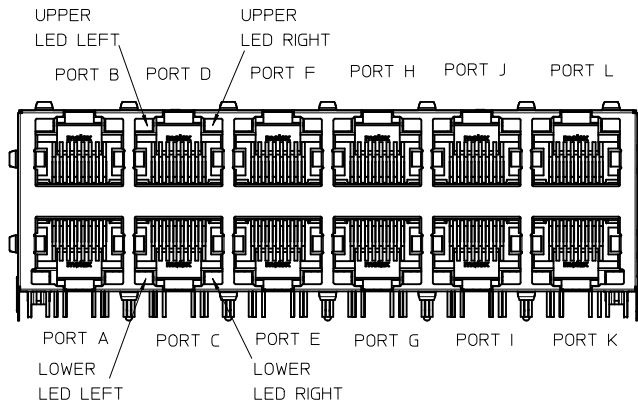
NOTES:

- 1 - SHIELD MATERIAL: BRASS, PLATING: NIKEL PRE-PLATING
- 2 - PLASTIC MATERIAL: POLYESTER (PBT), BLACK, UL 94V-0
- 3 - TERMINALS MATERIAL: COPPER ALLOY
RJ45 CONTACT AREA PLATING: 0.76 MICROMETER GOLD OVER 1.9 MICROMETER NICKEL
SOLDER TERMINALS: 3 MICROMETER TIN
- 4 - JACK TO BE MATED WITH FCC 68.5 PLUGS / IEC 60603-7 PLUGS
- 5 - PRODUCT SPECIFICATION: PS-85728-001
- 6 - PACKAGING SPECIFICATION: PK-85728-001
- 7 - TRACES WITHOUT INSULATION NOT ALLOWED IN THE DASHED AREAS.
(TO AVOID SHORTS TO SHIELD)
- 8 - STAND OFF TO SYSTEM BOARD
- 9 - STUB PINS AND SHIELD LATCHES; AVOID TO ROUTE TRACES OR TO PLACE ANY VIAS OR PADS BELOW THESE PINS

ENTER DESCRIPTION EC NO: MG2012-0007 DRWN: JBADER 2012/02/10 CHKD: MMANGARUDOV 2012/03/14 APPR: SSTE INKE 2012/06/12	QUALITY SYMBOLS ▽=0 ▽=0	GENERAL TOLERANCES (UNLESS SPECIFIED)		DIMENSION STYLE MM/IN	SCALE 2:1	DESIGN UNITS METRIC	THIRD ANGLE PROJECTION
		4 PLACES ± --- ± --- 3 PLACES ± --- ± --- 2 PLACES ± 0.25 ± --- 1 PLACE ± 0.5 ± --- ANGULAR ± 1°	DRAWN BY MMANGARUDOV 2010/03/19 CHECKED BY JBADER 2010/03/22 APPROVED BY SSTE INKE 2010/05/11	TITLE GIGABIT MAGNETIC JACK 2X6 LED		MATERIAL NO. SEE SHEET 3	
DRAFT WHERE APPLICABLE MUST REMAIN WITHIN DIMENSIONS		THIS DRAWING CONTAINS INFORMATION THAT IS PROPRIETARY TO MOLEX INCORPORATED AND SHOULD NOT BE USED WITHOUT WRITTEN PERMISSION					



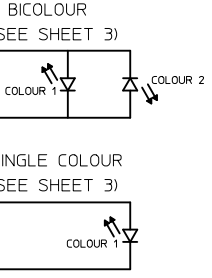
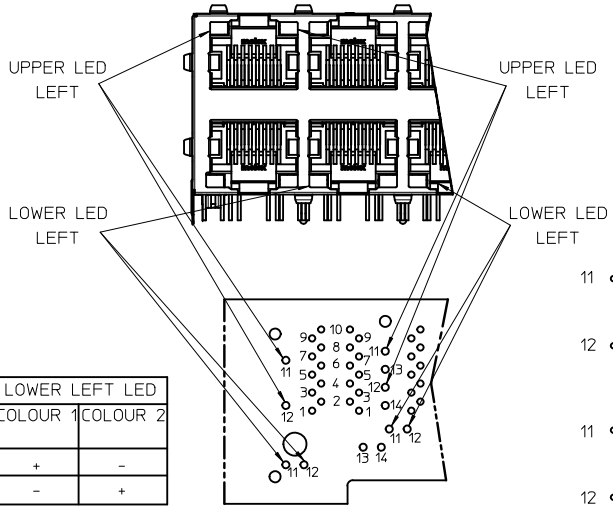
ENTER DESCRIPTION EC NO: MG2012-0007 DRAWN: JBADER CHKD: MMANGARUDOV APPR: SSTE INKE	2012/02/10 2012/03/14 2012/06/12	QUALITY SYMBOLS ▽=0 ▽=0	GENERAL TOLERANCES (UNLESS SPECIFIED)		DIMENSION STYLE MM/IN		SCALE 2:1	DESIGN UNITS METRIC	THIRD ANGLE PROJECTION
			4 PLACES ± --- ± --- 3 PLACES ± --- ± --- 2 PLACES ± 0.25 ± --- 1 PLACE ± 0.5 ± --- ANGULAR ± 1 °	mm INCH	DRAWN BY MMANGARUDOV CHECKED BY JBADER APPROVED BY SSTE INKE	DATE 2010/03/19 DATE 2010/03/22 DATE 2010/05/11	TITLE GIGABIT MAGNETIC JACK 2X6 LED	MATERIAL NO. SEE SHEET 3	DOCUMENT NO. SD-85728-001



PART NUMBER	UPPER & LOWER LED LEFT		UPPER & LOWER LED RIGHT	
85728-1001	COLOUR 1	GREEN	COLOUR 1	GREEN
85728-1002	COLOUR 1	GREEN	COLOUR 1	GREEN
	COLOUR 2	ORANGE		
85728-1003	COLOUR 1	GREEN	COLOUR 1	YELLOW
85728-1004	COLOUR 1	GREEN	COLOUR 1	GREEN
	COLOUR 2	ORANGE	COLOUR 2	ORANGE
85728-1006	COLOUR 1	GREEN	COLOUR 1	ORANGE
85728-1008	COLOUR 1	GREEN	COLOUR 1	GREEN
	COLOUR 2	YELLOW	COLOUR 2	YELLOW
85728-1012	COLOUR 1	YELLOW	COLOUR 1	YELLOW
	COLOUR 2	GREEN	COLOUR 2	GREEN
85728-1013	COLOUR 1	YELLOW	COLOUR 1	GREEN
	COLOUR 2	GREEN		
85728-1014	COLOUR 1	YELLOW	COLOUR 1	GREEN
85728-1016	COLOUR 1	GREEN	COLOUR 1	GREEN
			COLOUR 2	YELLOW

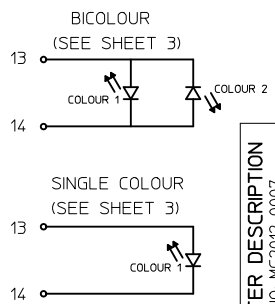
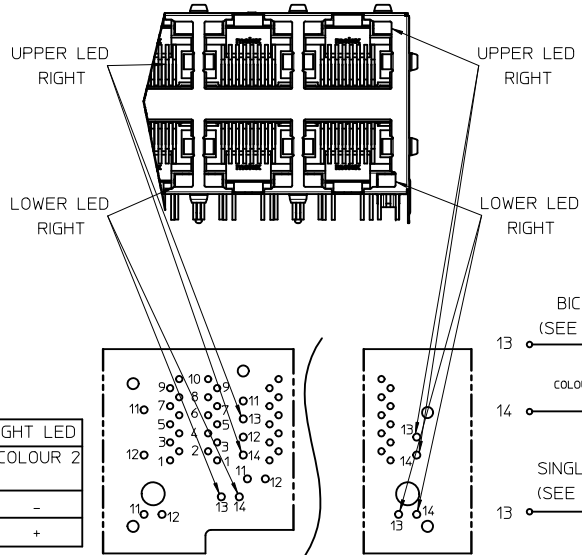
ADDITIONAL LED COLOURS AND CONFIGURATIONS AVAILABLE ON REQUEST

ENTER DESCRIPTION EC NO: MG2012-0007 DRWN: JBADER 2012/02/10 CHKD: MMANGARUDOV 2012/03/14 APPR: SSTE INKE 2012/06/12	QUALITY SYMBOLS ▽=0 ▽=0	GENERAL TOLERANCES (UNLESS SPECIFIED)		DIMENSION STYLE MM/IN	SCALE 2:1	DESIGN UNITS METRIC	THIRD ANGLE PROJECTION
		4 PLACES ± --- ± --- 3 PLACES ± --- ± --- 2 PLACES ± 0.25 ± --- 1 PLACE ± 0.5 ± --- ANGULAR ± 1°	mm INCH ± --- ± --- ± 0.25 ± --- ± 0.5 ± ---	DRAWN BY DATE MMANGARUDOV 2010/03/19	TITLE GIGABIT MAGNETIC JACK 2X6 LED		
REVISIONS C	DRAFT WHERE APPLICABLE MUST REMAIN WITHIN DIMENSIONS	APPROVED BY DATE SSTE INKE 2010/05/11		MATERIAL NO. DOCUMENT NO.		MOLEX INCORPORATED SD-85728-001	
		SIZE A 2		THIS DRAWING CONTAINS INFORMATION THAT IS PROPRIETARY TO MOLEX INCORPORATED AND SHOULD NOT BE USED WITHOUT WRITTEN PERMISSION		SHEET NO. 3 OF 4	



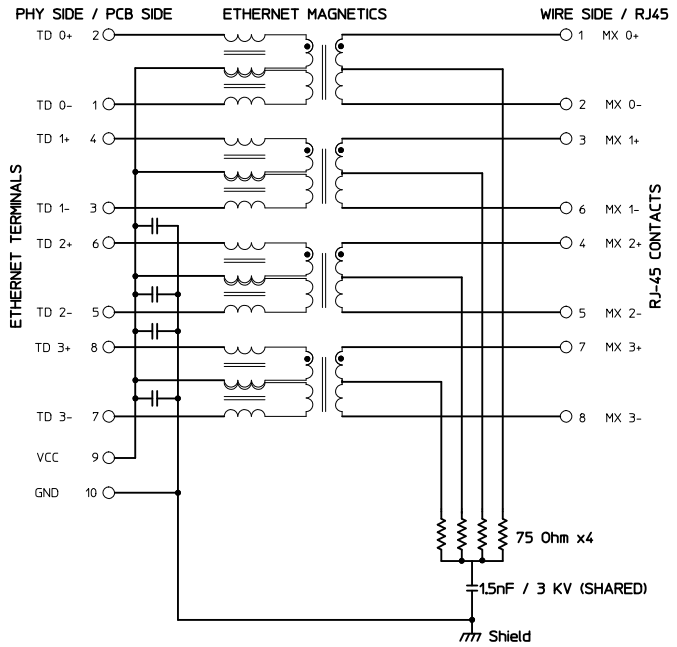
PIN POSITION	COLOUR 1	COLOUR 2
11	+	-
12	-	+

COMPONENT VIEW



PIN POSITION	COLOUR 1	COLOUR 2
13	+	-
14	-	+

COMPONENT VIEW



PIN#	ETHERNET SIGNAL
10	GND
9	Vcc
8	TD 3+
7	TD 3-
6	TD 2+
5	TD 2-
4	TD 1+
3	TD 1-
2	TD 0+
1	TD 0-

ENTER DESCRIPTION EC NO: MG2012-0007 DRAWN: JBADER 2012/02/10 CHKD:MMANGARUDOV 2012/03/14 APPR:SSSTEINKE 2012/06/12	QUALITY SYMBOLS ▽=0 ▽=0	GENERAL TOLERANCES (UNLESS SPECIFIED) <table border="1"> <tr> <th></th> <th>mm</th> <th>INCH</th> </tr> <tr> <td>4 PLACES</td> <td>± 0.15</td> <td>± 0.006</td> </tr> <tr> <td>3 PLACES</td> <td>± 0.20</td> <td>± 0.008</td> </tr> <tr> <td>2 PLACES</td> <td>± 0.25</td> <td>± 0.010</td> </tr> <tr> <td>1 PLACE</td> <td>± 0.5</td> <td>± 0.020</td> </tr> </table> ANGULAR ± 1°		mm	INCH	4 PLACES	± 0.15	± 0.006	3 PLACES	± 0.20	± 0.008	2 PLACES	± 0.25	± 0.010	1 PLACE	± 0.5	± 0.020	DIMENSION STYLE MM/IN	SCALE 2:1	DESIGN UNITS METRIC	THIRD ANGLE PROJECTION
				mm	INCH																
4 PLACES	± 0.15	± 0.006																			
3 PLACES	± 0.20	± 0.008																			
2 PLACES	± 0.25	± 0.010																			
1 PLACE	± 0.5	± 0.020																			
DRAFT WHERE APPLICABLE MUST REMAIN WITHIN DIMENSIONS	SEE SHEET 3	DIMENSION STYLE DRAWN BY: MMANGARUDOV 2010/03/19 CHECKED BY: JBADER 2010/03/22 APPROVED BY: SSSTEINKE 2010/05/11 MATERIAL NO.	TITLE GIGABIT MAGNETIC JACK 2X6 LED		MOLEX INCORPORATED																
REV C	SIZE A 2	THIS DRAWING CONTAINS INFORMATION THAT IS PROPRIETARY TO MOLEX INCORPORATED AND SHOULD NOT BE USED WITHOUT WRITTEN PERMISSION		DOCUMENT NO. SD-85728-001	SHEET NO. 4 OF 4																