

82869014-3.9 W



- ✓ Torque rating of gearboxes: 2 Nm, high-performance plastic gears
- ✓ Motors: nominal power 3 W, interference suppression for standard stocked products
- ✓ Wide speed range: 0.3 to 430 rpm
- ✓ Optional encoder built into the motor

General characteristics

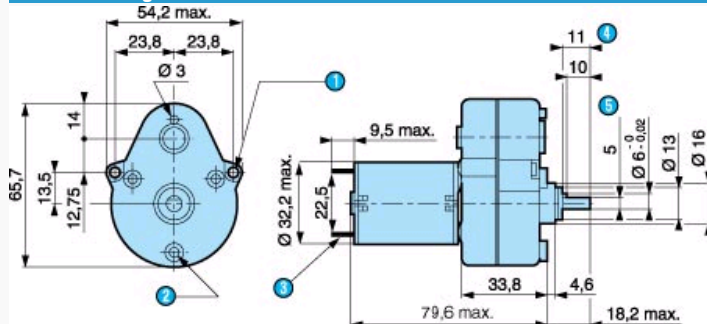
Motor	828600
Gearbox	810330
Maximum permitted torque from gearmotor under continuous conditions for 1 million turns (Nm)	2
Axial load static (daN)	1
Radial load static (daN)	10
Max. output power (W)	3,9
Nominal output (W)	3
Gearbox case temperature rise (°C)	50
Weight (g)	240

Made to order products, available on request

- ✓ Other supply voltages
- ✓ Motor with 2 ball bearings
- ✓ Shaft lengths at front and/or rear
- ✓ Lead outputs or radial tag terminals
- ✓ Special interference suppression
- ✓ Encoder: 5 pulses/rev

- ✓ Special shaft
- ✓ Ball bearings
- ✓ Special greasing
- ✓ Torque limiter F
- ✓ Gearbox fixing M3
- ✓ Other speeds

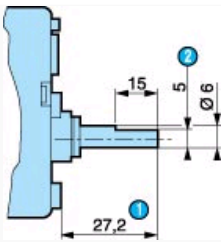
Dimension Diagram : 828690



N° Legend

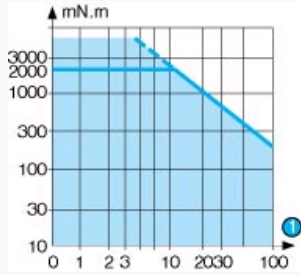
- | | |
|---|--|
| 1 | 2 fixing holes Ø 3.2 |
| 2 | 3 bosses Ø 7.2 at 120° on R=19.5 with 3 x M3 holes |
| 3 | 2 standard tags NFC 20-120, series 2.8 x 0.5 mm |
| 4 | Shaft pushed-in |
| 5 | 5 across flats |

Dimension Diagram : Shaft 79202573



N°	Legend
1	Shaft pushed-in
2	5 across flats

Curves : Curve: torque/nominal speed



N°	Legend
1	rpm

Special adaptations

- ✓ Special supply voltage
- ✓ Lead output
- ✓ 1 or 5 pulse Hall effect encoder
- ✓ Special connectors
- ✓ Special shaft
- ✓ Special reduction ratio
- ✓ Special materials for gears
- ✓ Special ball bearings
- ✓ Special adaptor plate
- ✓ Finishing and system Y
- ✓ More than 200 reduction ratios available
- ✓ With shorter 1 W motor