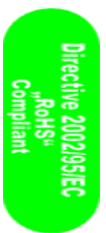
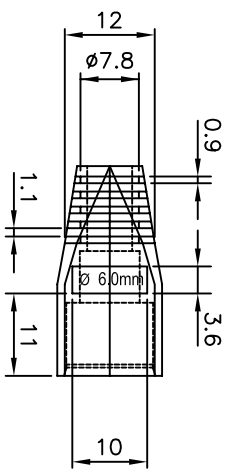
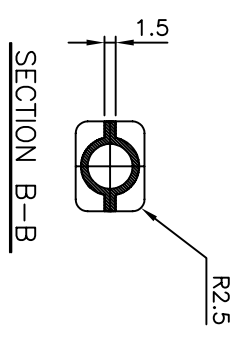
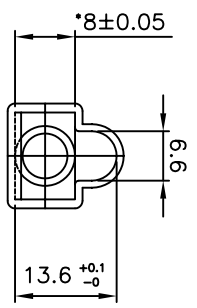
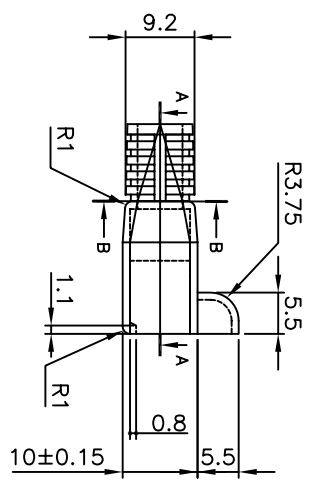
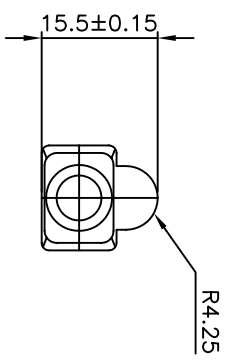
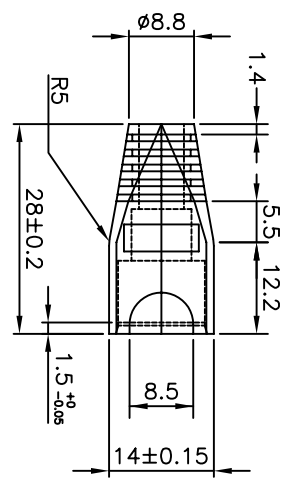
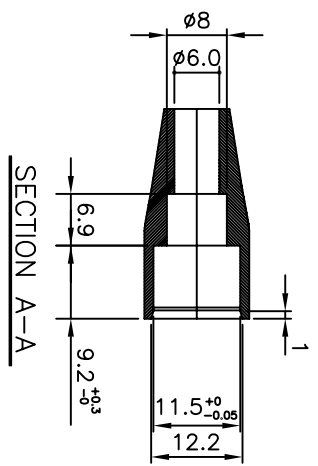


used for:



Color	Black	Blue	Green	Yellow	Red	White
P/N	795-601302	795-601303	795-601304	795-601305	795-601306	795-601307

THIS DRAWING MAY NOT BE COPIED OR REPRODUCED IN ANY WAY, AND MAY NOT BE PASSED ON TO A THIRD PARTY WITHOUT WRITTEN PERMISSION. OWNERSHIP AND COPYRIGHT OF CONEC CORPORATION

DO NOT ALTER CAD DRAWING BY HAND

rev.	description	date	name
a	origin	Aug/20/08	Vincent Ke

tolerance unless otherwise specified tolerance shall be as follow
 Decimal: .xx, .xxx, .0125, .025, .05, .1, .15, .2, .3, .4, .5, .6, .7, .8, .9, 1.0, 1.5, 2.0, 3.0, 4.0, 5.0, 6.0, 8.0, 10.0
 Angles: .3°

finish	date	name	Dim. in mm
2007	2007	Vincent Ke	
draw.	Feb. 09	Vincent Ke	
appd.	Feb. 09	J. Chaudry	
norm			
d-old			

scale: material: PVC

title: RJ45 Modular Boot for Cat. 5e Cable (ID=6.0mm) RoHS compliant

drawing no.: AutoCAD 2005
 7951A235

part no.: SEE P/N TABLE

DIN A3 Sheet 1/1



8 7 6 5 4 3 2 1