

Data Sheet

Cigarette Lighter with clamp sleeve, illuminated

	BP	SP
clamp sleeve clear	68031080	68131080
clamp sleeve red	68031090	68131090
clamp sleeve green	68031100	68131100

16.06.2014

voltage input:	12 Volt
charging rate:	max. 10 A
terminals:	6,3 mm flat plug
circuit protection:	flat fuse 15 A (according DIN 72581-C15)
tripping time of the heating element:	14 ± 4 s (at 18 to 28 °C ambient temperature)
temperature:	800 – 1200 °C (immediate after triggering)

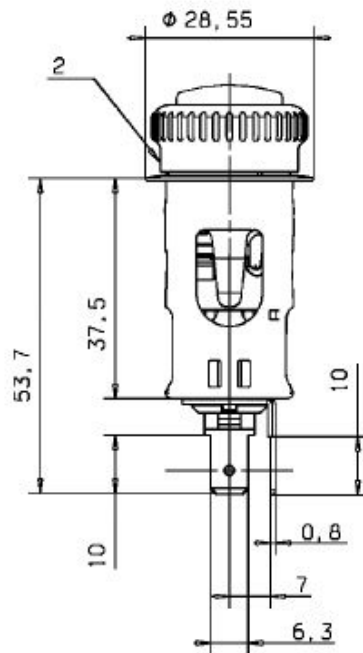
material:

knob:	PA6-GB30
heating element:	CuZn37
socket:	metal
clamp sleeve:	polycarbonate

Cigarette Lighter with clamp sleeve, illuminated

	BP	SP
clamp sleeve clear	68031080	68131080
clamp sleeve red	68031090	68131090
clamp sleeve green	68031100	68131100

16.06.2014



Falls Armaturenbrett aus
Kunststoff: Härte (=>79) Shore D
nach DIN 53 505
IF PANEL MADE OF SYNTHETIC MATERIAL:
HARDNESS (=>79) SHORE D IN ACCORDANCE
WITH DIN 53 505

