

THIS DRAWING IS UNPUBLISHED. RELEASED FOR PUBLICATION. ALL RIGHTS RESERVED.

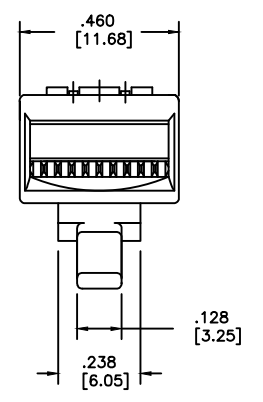
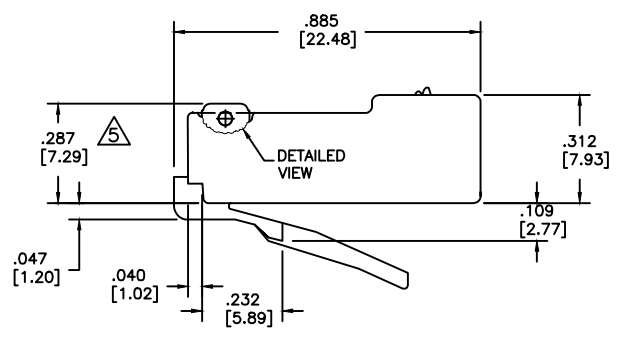
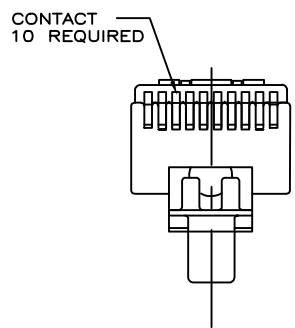
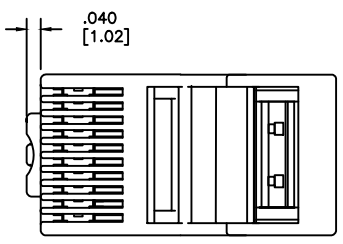
LOC		DIBT		REVISIONS			
FP	LTR	REV	DESCRIPTION	DATE	DRW	APPD	
B			REV: MCO-40026563MCO	16NOV2019	HG	JG	

MP1010U-R-

PACKAGE SIZE

5	=	500
2	=	50
1	=	100

1. DIMENSIONS ARE NOMINAL UNLESS OTHERWISE SPECIFIED.
2. MATERIAL: HOUSING- POLYCARBONATE, CLEAR TERMINAL- .305 [.012] THICK PHOSPHOR BRONZE PLATED WITH 1.27μm [.00005] MINIMUM THICK GOLD IN LOCALIZED PLATE AREA OVER 2.54μm [.000100] MINIMUM THICK NICKEL UNDERPLATE.
3. NON-SMALL CONDUCTOR PLUGS WILL ACCEPT 24 TO 26 AWG SOLID OR STRANDED CONDUCTORS WITH A SINGLE INSULATION DIAMETER OF 0.86 - 0.99 [.034-.039].
4. MAXIMUM CABLE JACKET DIAMETER FOR THE 10 POSITION PLUGS IS 5.34 [0.210] DIAMETER JACKET.
5. TERMINATED DIMENSION 5.89 [.232] - 6.15 [.242].
6. UL RECOGNIZED FILE NUMBER E81956.



PACKAGE	MATERIAL	CATALOG NUMBER
100	6-557963-3	MP1010U-R-1
500	6-557963-2	MP1010U-R-5

CATALOG NUMBER VERSIONS

THIS DRAWING IS A CONTROLLED DOCUMENT.		DRW: H.GAUL 11JAN2019	CHK: J.GENIAC 11JAN2019	APPD: J.GENIAC 11JAN2019	NAME: J.GENIAC																																												
DIMENSIONS: INCHES (MM)		TOLERANCES UNLESS OTHERWISE SPECIFIED:		PRODUCT SPEC: 108-1163																																													
<table border="1"> <tr> <td>0</td> <td>PLC</td> <td>± .005</td> <td>△</td> </tr> <tr> <td>1</td> <td>PLC</td> <td>± .005</td> <td>△</td> </tr> <tr> <td>2</td> <td>PLC</td> <td>± .005</td> <td>△</td> </tr> <tr> <td>3</td> <td>PLC</td> <td>± .005</td> <td>△</td> </tr> <tr> <td>4</td> <td>PLC</td> <td>± .005</td> <td>△</td> </tr> <tr> <td>5</td> <td>PLC</td> <td>± .005</td> <td>△</td> </tr> <tr> <td>6</td> <td>PLC</td> <td>± .005</td> <td>△</td> </tr> <tr> <td>7</td> <td>PLC</td> <td>± .005</td> <td>△</td> </tr> <tr> <td>8</td> <td>PLC</td> <td>± .005</td> <td>△</td> </tr> <tr> <td>9</td> <td>PLC</td> <td>± .005</td> <td>△</td> </tr> <tr> <td>10</td> <td>PLC</td> <td>± .005</td> <td>△</td> </tr> </table>		0	PLC	± .005	△	1	PLC	± .005	△	2	PLC	± .005	△	3	PLC	± .005	△	4	PLC	± .005	△	5	PLC	± .005	△	6	PLC	± .005	△	7	PLC	± .005	△	8	PLC	± .005	△	9	PLC	± .005	△	10	PLC	± .005	△	APPLICATION SPEC: 114-6016		SIZE: A1	
0	PLC	± .005	△																																														
1	PLC	± .005	△																																														
2	PLC	± .005	△																																														
3	PLC	± .005	△																																														
4	PLC	± .005	△																																														
5	PLC	± .005	△																																														
6	PLC	± .005	△																																														
7	PLC	± .005	△																																														
8	PLC	± .005	△																																														
9	PLC	± .005	△																																														
10	PLC	± .005	△																																														
MATERIAL: POLYCARBONATE		FINISH: CLEAR		CUSTOMER DRAWING																																													
SCALE: 4:1		SHEET: 1 OF 1		REV: B																																													