

THIS DRAWING IS UNPUBLISHED. RELEASED FOR PUBLICATION. ALL RIGHTS RESERVED.

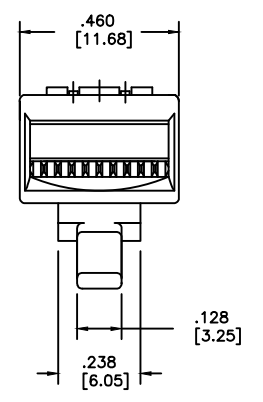
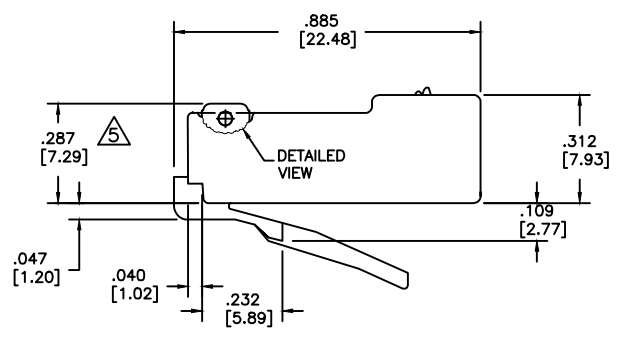
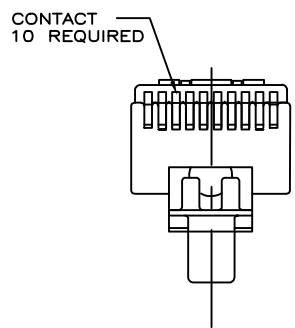
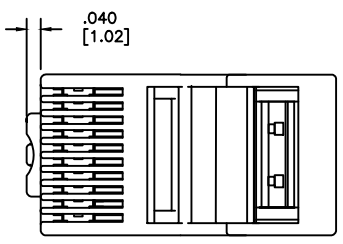
LOC		DIBT		REVISIONS			
FP	LTR	REV	DESCRIPTION	DATE	BY	APPD	
B			REV: MCO-40026563MCO	16NOV2019	HG	JG	

# MP1010U-R-

PACKAGE SIZE

5	=	500
2	=	50
1	=	100

1. DIMENSIONS ARE NOMINAL UNLESS OTHERWISE SPECIFIED.
2. MATERIAL: HOUSING- POLYCARBONATE, CLEAR TERMINAL- .305 [.012] THICK PHOSPHOR BRONZE PLATED WITH 1.27μm [.00005] MINIMUM THICK GOLD IN LOCALIZED PLATE AREA OVER 2.54μm [.000100] MINIMUM THICK NICKEL UNDERPLATE.
3. NON-SMALL CONDUCTOR PLUGS WILL ACCEPT 24 TO 26 AWG SOLID OR STRANDED CONDUCTORS WITH A SINGLE INSULATION DIAMETER OF 0.86 - 0.99 [.034-.039].
4. MAXIMUM CABLE JACKET DIAMETER FOR THE 10 POSITION PLUGS IS 5.34 [0.210] DIAMETER JACKET.
5. TERMINATED DIMENSION 5.89 [.232] - 6.15 [.242].
6. UL RECOGNIZED FILE NUMBER E81956.



PACKAGE	MATERIAL	CATALOG NUMBER
100	6-557963-3	MP1010U-R-1
500	6-557963-2	MP1010U-R-5

CATALOG NUMBER VERSIONS

THIS DRAWING IS A CONTROLLED DOCUMENT.		DRW: H.GAUL 11JAN2019	TE Connectivity	
DIMENSIONS: INCHES (MM)		CHK: J. GENIAC 11JAN2019	MODULAR PLUG ASSEMBLY, 10 POSITION, ROUND CABLE	
TOLERANCES UNLESS OTHERWISE SPECIFIED:		APPD: J. GENIAC 11JAN2019	SIZE: A1	
0 PLC	± .005	NAME: 108-1163	SCALE: 4:1	
1 PLC	± .005	PRODUCT SPEC: 108-1163	SHEET 1 OF 1	
2 PLC	± .005	APPLICATION SPEC: 114-6016	REV B	
3 PLC	± .005	WGT: -	RESTRICTED TO: -	
4 PLC	± .005	CUSTOMER DRAWING	DATE: 11/16/2019	
ANGLES	± .005			
MATERIAL				
FINISH				