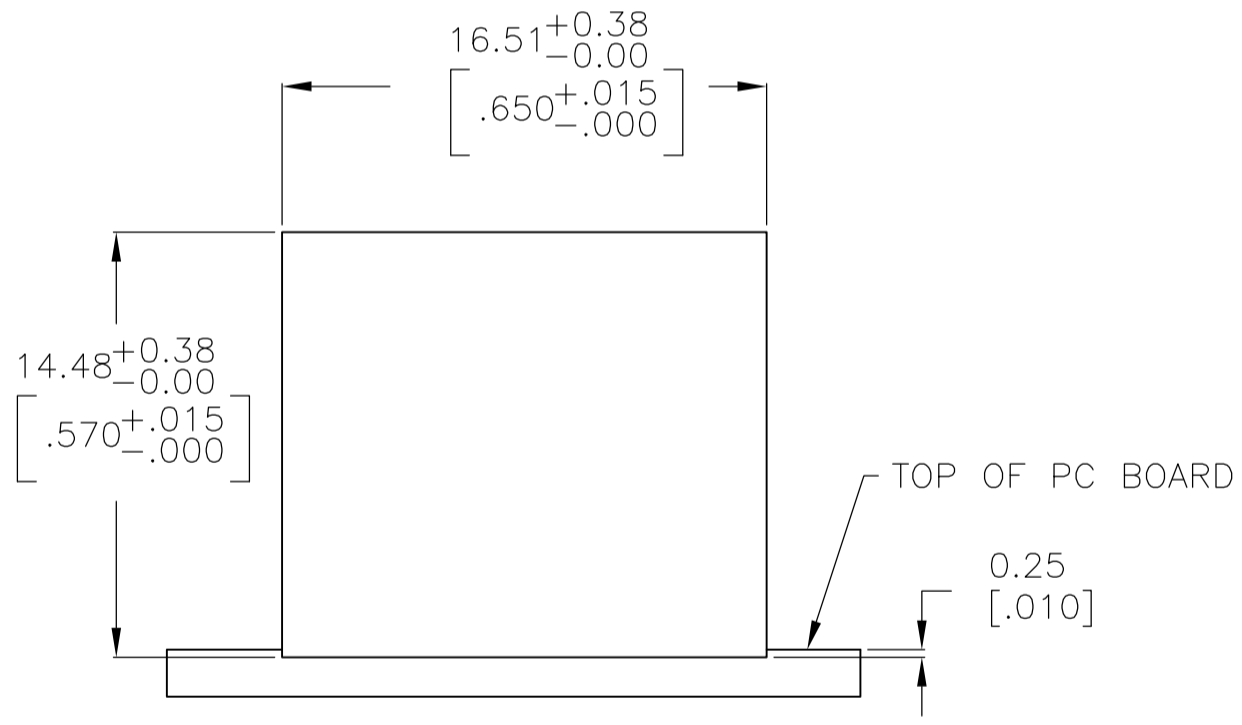
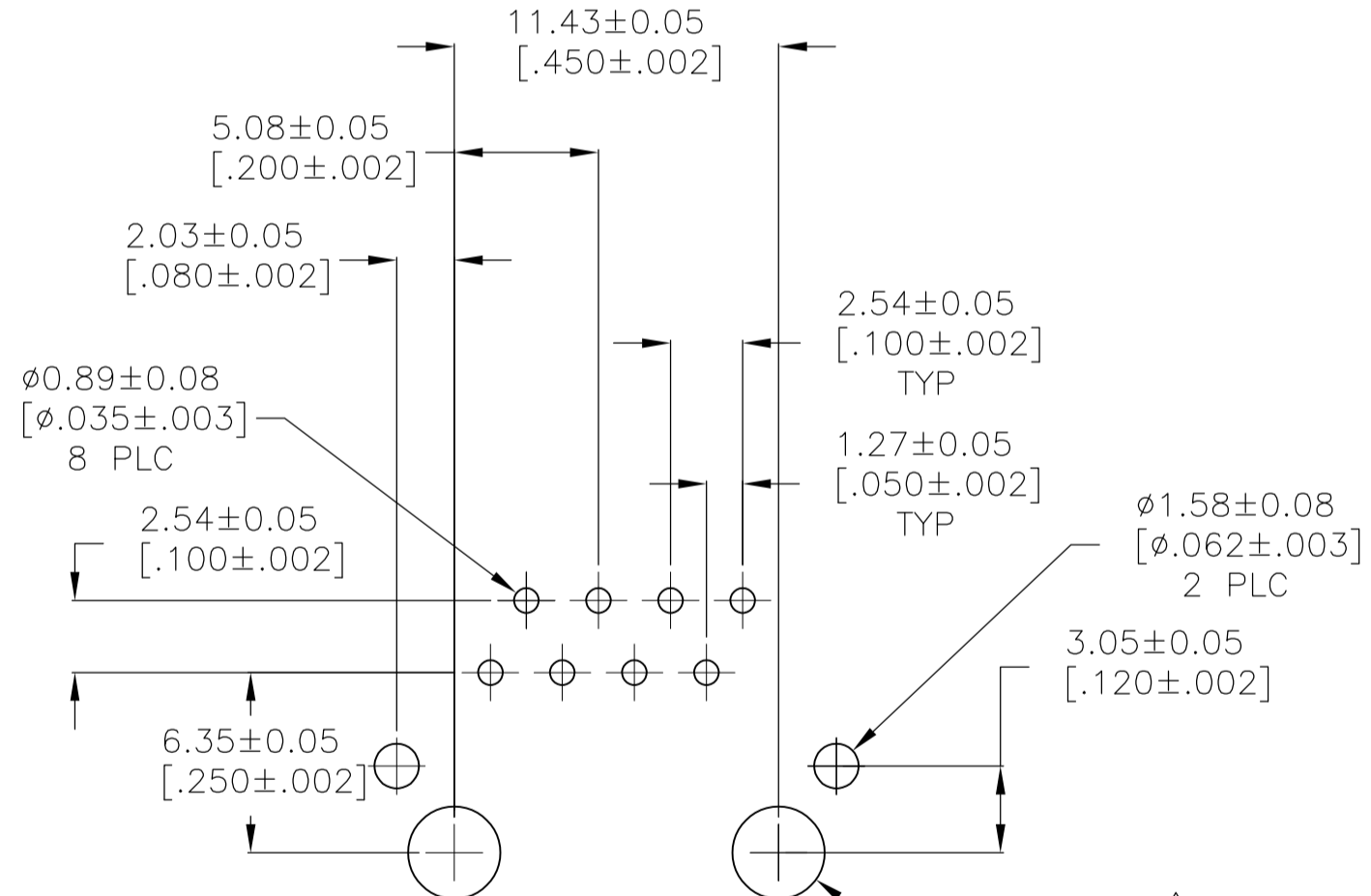
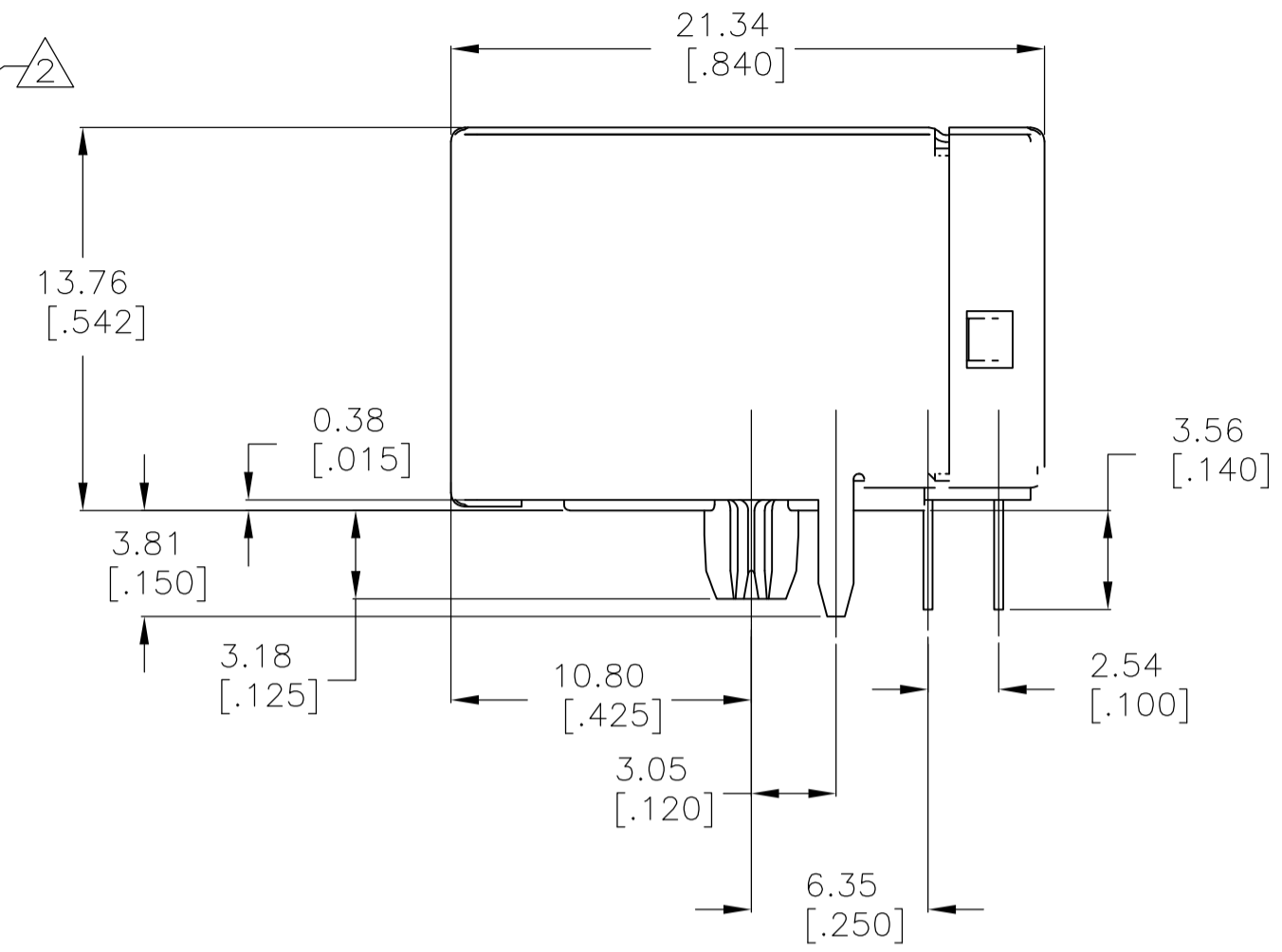
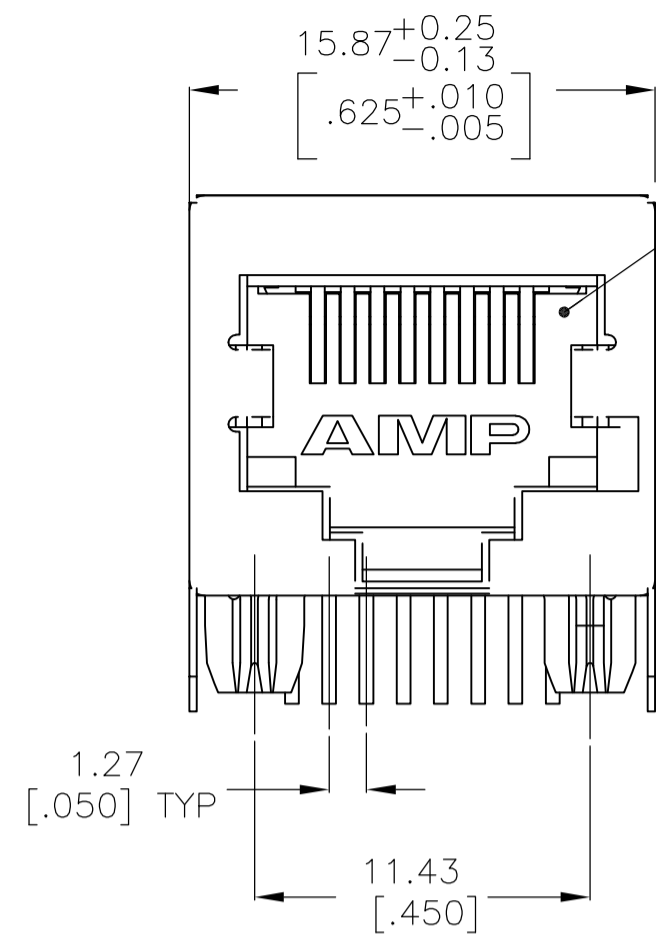


THIS DRAWING IS UNPUBLISHED. RELEASED FOR PUBLICATION
 © COPYRIGHT - By - ALL RIGHTS RESERVED.

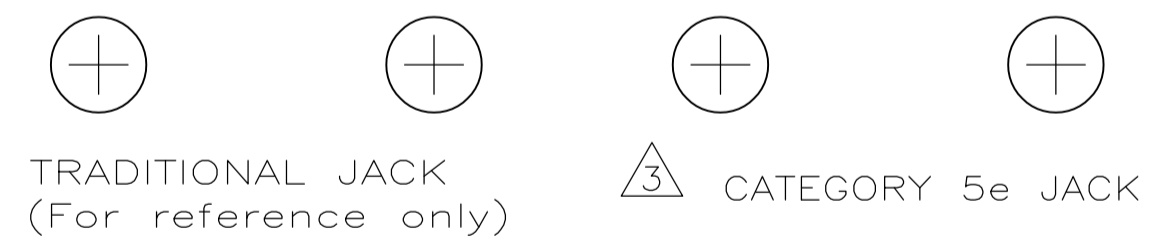
LOC	DIST	REVISIONS					
AA	00	P	LTR	DESCRIPTION	DATE	DWN	APVD
		D1		REVISED PER ECO-11-005033	26MAR11	RK	HMR
		E		ECO-11-019003	19SEP11	JJ	MQW
		F		ECO-13-009636	9JUN13	C.W.S.H	



SUGGESTED PANEL CUTOUT
SCALE 4:1

SUGGESTED PC BOARD LAYOUT
COMPONENT SIDE

- MATERIAL: HOUSING HTN, BLACK.
 TERMINALS - 0.33 [TYP] THICK PHOS BRONZE PLATED WITH $1.27 \mu\text{m}$ [TYP] MINIMUM THICK HARD GOLD IN LOCALIZED AREA AND $3.81 \mu\text{m}$ [TYP] MINIMUM THICK MATTE TIN IN SOLDER AREA OVER $1.27 \mu\text{m}$ [TYP] MINIMUM THICK NICKEL UNDERPLATE.
 SHIELDS - 0.254 [TYP] THICK COPPER ALLOY PLATED WITH $1.27 \mu\text{m}$ [TYP] MINIMUM NICKEL AND $2.03 \mu\text{m}$ [TYP] MINIMUM HOT TIN DIP ON PCB GROUND TABS.
- JACK CAVITY CONFORMS TO FCC RULES AND REGULATIONS, PART 68 SUBPART F.
- CAUTION: CATEGORY 5 JACK SOLDER TAIL POSITIONS DO NOT FOLLOW SAME NUMBER SEQUENCE AS THAT OF TRADITIONAL JACKS.
- USE #30 DRILL BIT OR 3.25mm DRILL BIT WHEN PRODUCING THESE PCB HOLES.
- OBSOLETE PARTS: OBSOLETE CIS STREAMLINING PER D.RENAUD/D.SINISI
- SHIELD MATERIAL: PHOS BRONZE.



\triangle	BLACK	5558342-3
\triangle	GRAY	5558342-2
	BLACK	5558342-1
	HOUSING COLOR	PART NUMBER

THIS DRAWING IS A CONTROLLED DOCUMENT.		DWN	01JUNE2005	TE Connectivity	
DIMENSIONS: mm		CHK	T. PITTS/L.A.MAYER		
TOLERANCES UNLESS OTHERWISE SPECIFIED:		APVD	J.WESTMAN		
0 PLC ± -		PRODUCT SPEC	S.FLICKINGER	MODULAR JACK ASSEMBLY, 8 POSITION, RIGHT ANGLE, LOW PROFILE, SHIELDED, PC BOARD GROUND, CATEGORY 5e	
1 PLC ± -		APPLICATION SPEC	108-1163-2	SIZE	A2
2 PLC ± 0.25[.010]			114-2048	CAGE CODE	00779
3 PLC ± -				DRAWING NO	C=5558342
4 PLC ± -				RESTRICTED TO	-
ANGLES ± -				SCALE	4:1
FINISH		WEIGHT	-	SHEET	1 of 1
SEE NOTE 1		CUSTOMER DRAWING		REV	F