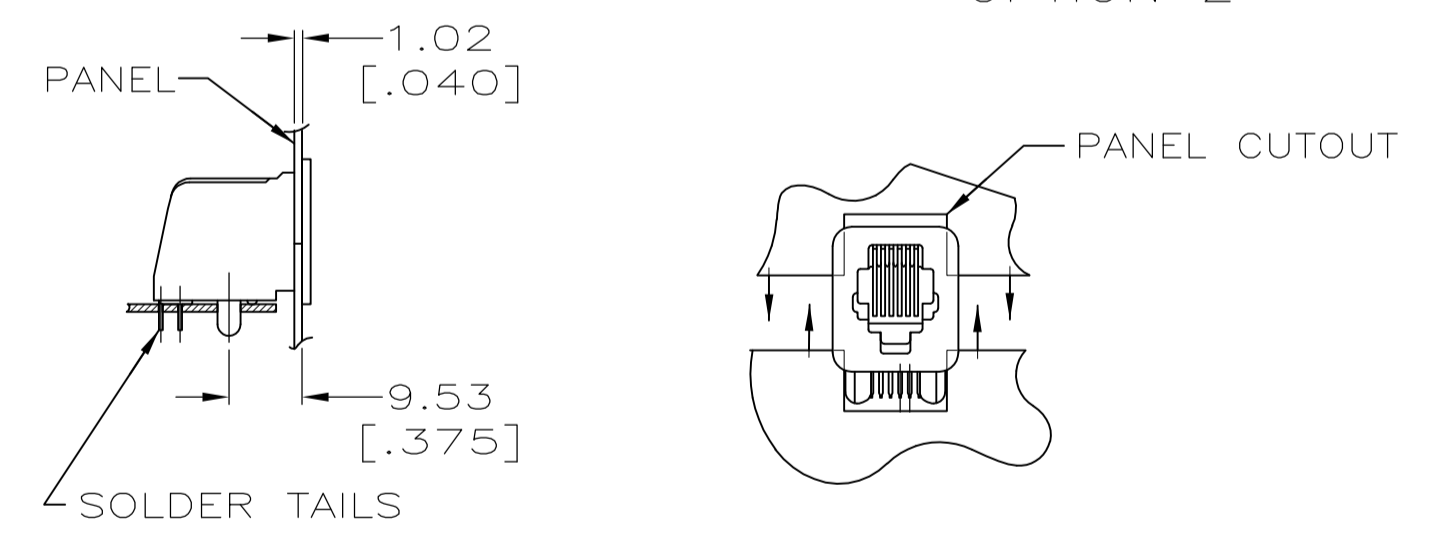
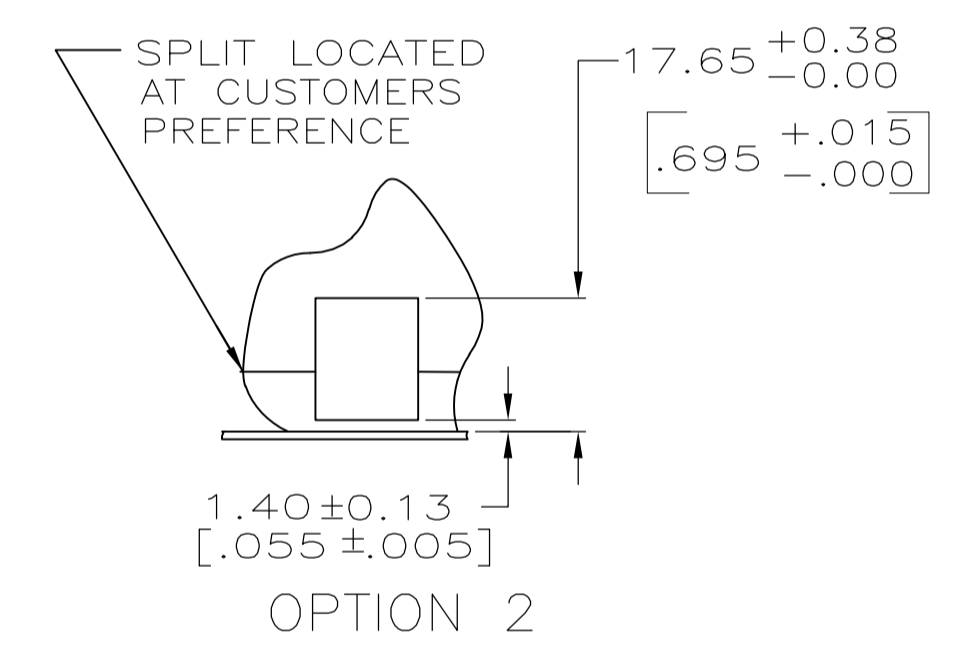
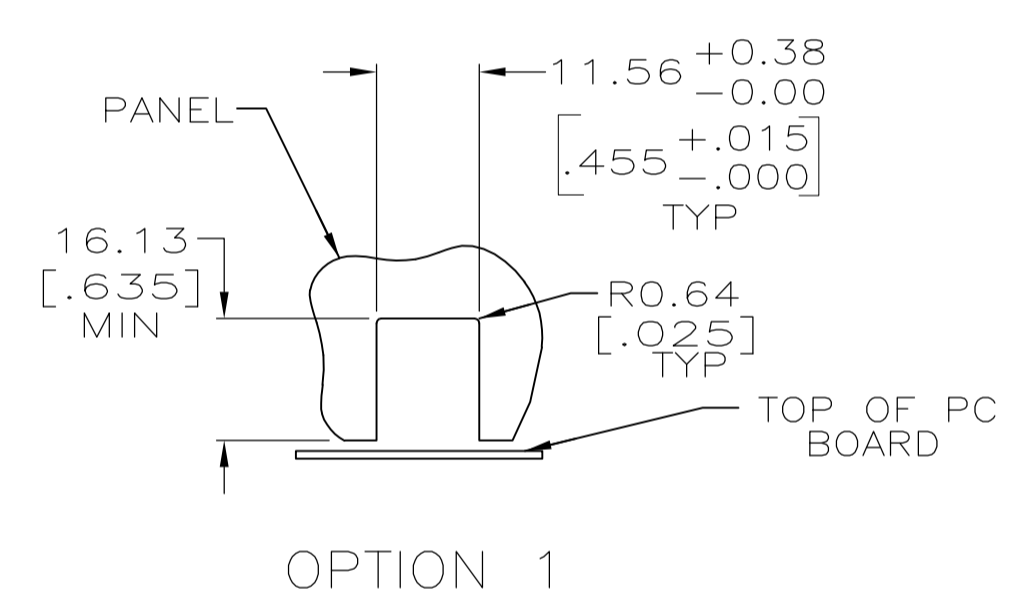
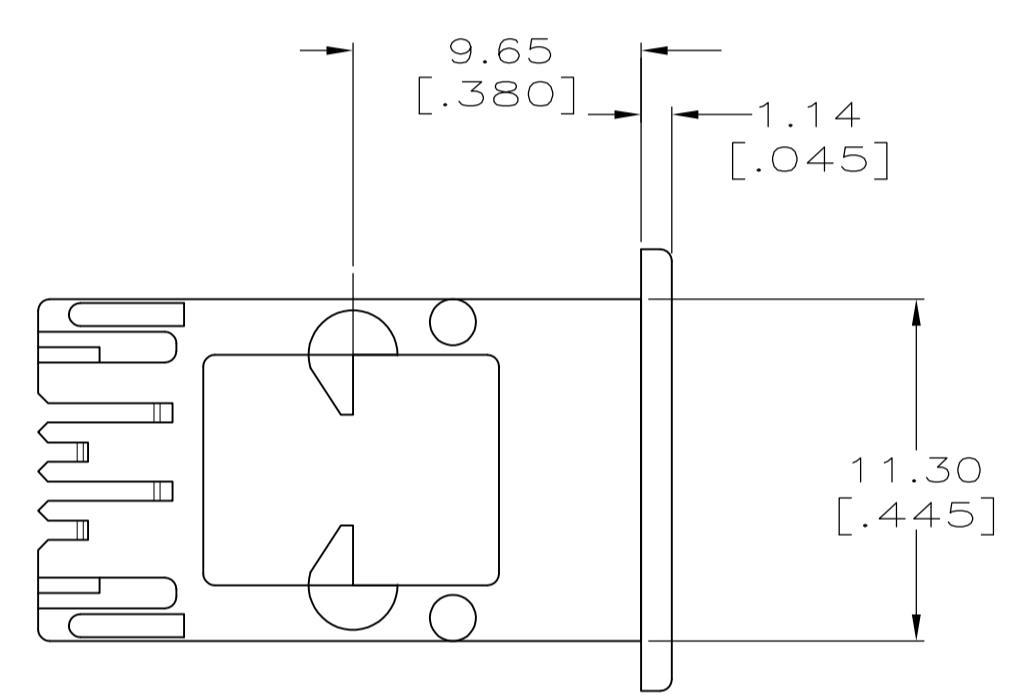
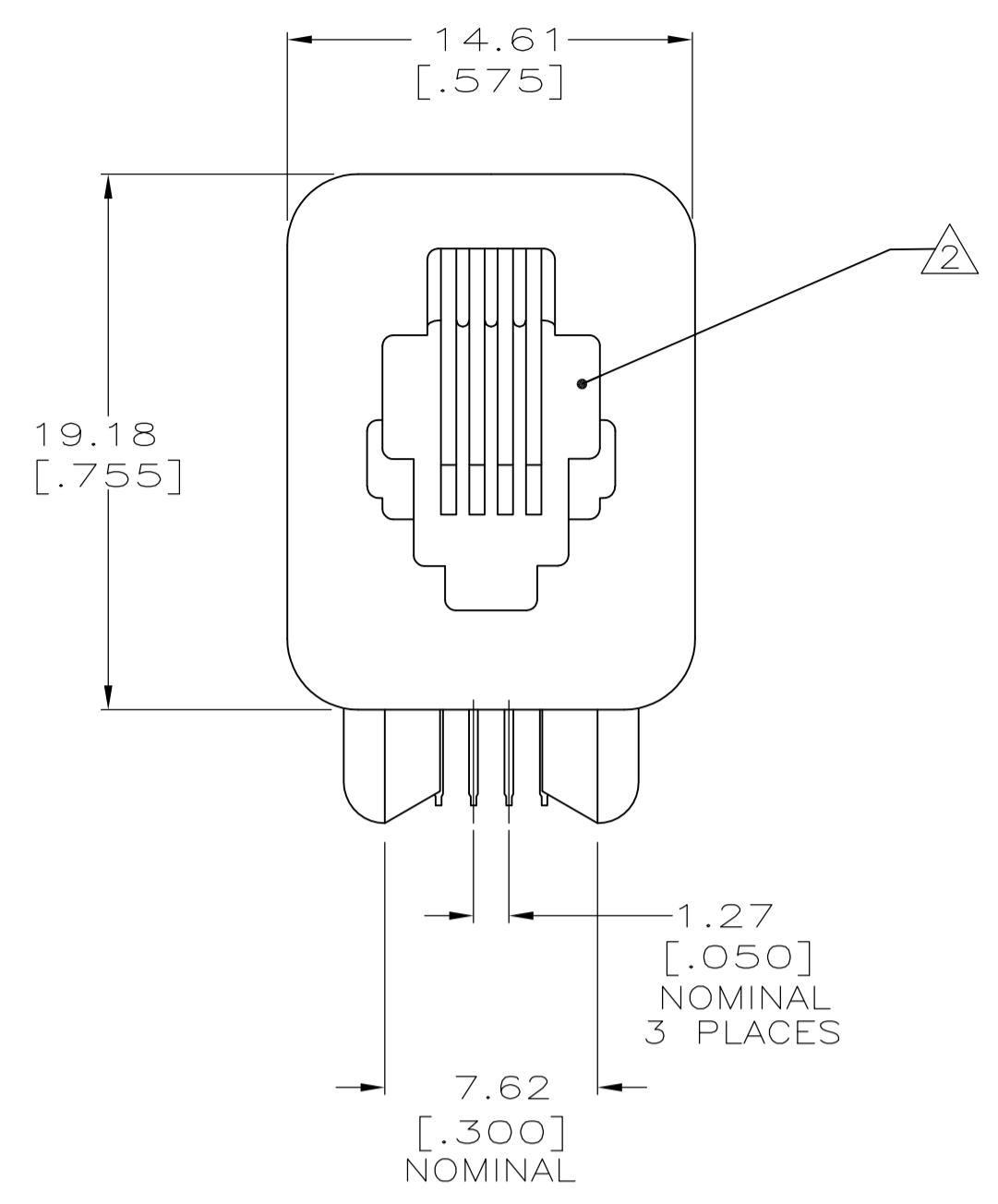
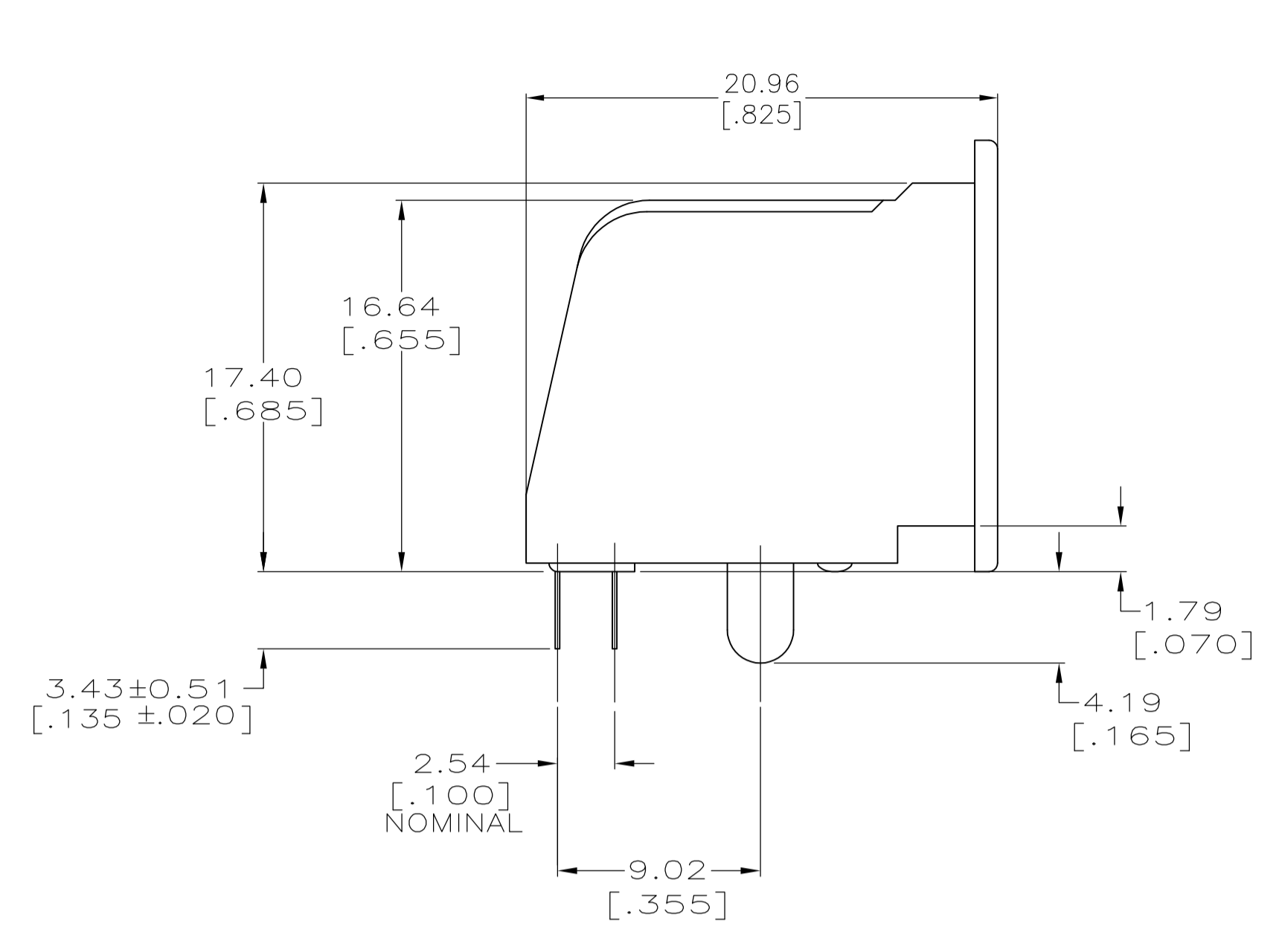
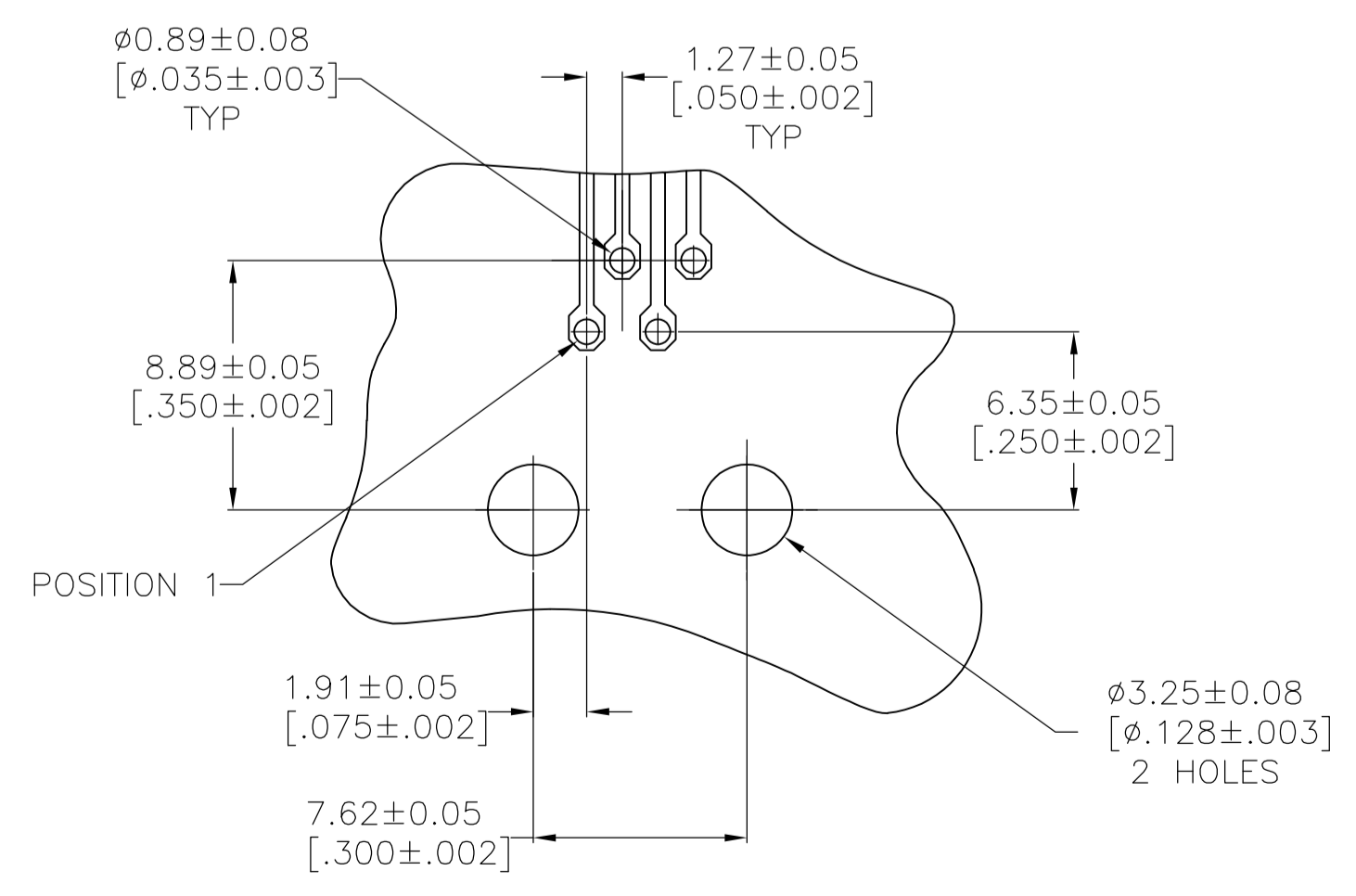


LOC		DIST		REVISIONS			
P	LTR	DESCRIPTION	DATE	DNW	APVD		
B		ECO-07-019669	23AUG2007	LAM	PR		



RECOMMENDED PANEL CUTOUT GUIDELINES
SCALE 1:1



RECOMMENDED PRINTED CIRCUIT BOARD LAYOUT
COMPONENT SIDE

- MATERIAL: HOUSING - PBT POLYESTER
 COLOR: BLACK
 TERMINAL - 0.36 [.014] THICK
 PHOS-BRONZE PLATED WITH
 1.22 μm [.000050] MINIMUM THICK HARD GOLD IN
 LOCALIZED GOLD PLATE AREA AND
 3.81 μm [.000150] MINIMUM THICK MATTE
 TIN IN SOLDER AREA OVER 1.27 μm [.000050]
 MINIMUM THICK NICKEL UNDERPLATE.
- CAVITY CONFORMS TO FCC RULES AND
 REGULATIONS PART 68 AND REA BULLETIN
 345-81, PE-76 SPECIFICATION FOR
 MODULAR TELEPHONE HARDWARE.
- ALL DIMENSIONS ARE MAXIMUM UNLESS
 OTHERWISE SPECIFIED.

5520241-2
PART NUMBER

THIS DRAWING IS A CONTROLLED DOCUMENT.		DIN J. ALCORTA - 17JUN2005 DOCK 5		Tyco Electronics Corporation Tyco Electronics Corporation Harrisburg, Pa 17105-3608	
DIMENSIONS: mm [INCHES]		TOLERANCES UNLESS OTHERWISE SPECIFIED:		APVD S. FLICKINGER 17JUN2005 NAME	
0 PLC ± -		1 PLC ± -		PRODUCT SPEC 108-1163	
2 PLC ± -		3 PLC ± -		APPLICATION SPEC 114-2048	
4 PLC ± -		ANGLES ± ± ±		SIZE CAGE CODE DRAWING NO RESTRICTED TO	
MATERIAL SEE NOTE 1		FINISH SEE NOTE 1		WEIGHT A1 00779 C=5520241	
		CUSTOMER DRAWING		SCALE 1:1 SHEET 1 OF 1 REV B	