

MSDD pass-through RJ45 fem/fem

Pass-through

1 × RJ45, 8-pole metal, CAT5e (female/female)

Image

Vicarious picture

Technical Data

Operating voltage	24 V AC
Operating current	max. 1.5 A
Specification	SUB-D: (DIN 41652/IEC 60807-1); RJ45: CAT5e (100 MHz · MBit/s); USB: 2.0/Type 2dB (max. 480 Mbit/s)
Mounting depth mounted	approx. 19 mm

General data

Shielded	yes
Protection	IP65
Dimensions Ø × D	29.5 x 29 mm
Cut-out	Ø 22.5 mm

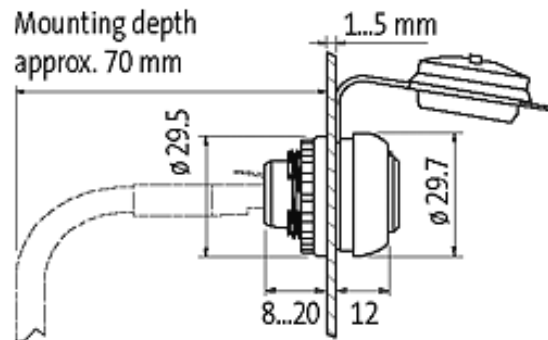
Commercial data

Net weight	18
Weight unit	Gram
Basic unit	pc.
Customs tariff number	85366990
Unit (piece)	1
Minimum order quantity (piece)	1

All data on this data sheet was compiled carefully.

Liability regarding correctness, completeness, and actuality is limited to gross negligence. Created: 08/14

Dimension drawing



Control cabinet cut-out

