

Modlink MSDD front panel interface frame modul single metal matte nickel plated/transparent

Frame: metal, matte nickel plated

Lid: plastic, transparent

Image

Vicarious picture

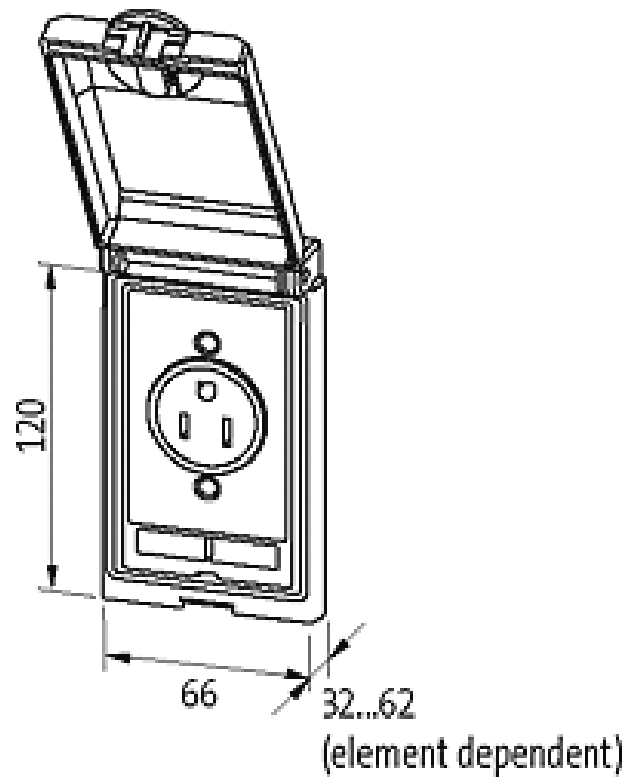
General data

Shielded	yes, only with shielded inserts
Protection	IP65
Temperature range	-10...+60 °C (storage temperature -25...+60 °C)
Housing	Zinc die-casting, with surface finishing
suitable for mounting with wall thickness	1...5 mm

Commercial data

Net weight	175
Weight unit	Gram
Basic unit	pc.
Customs tariff number	85389099
Unit (piece)	1
Minimum order quantity (piece)	1

Dimension drawing



Control cabinet cut-out

