

**MVP12, 8xM12, 5pole, plug. cap SCT. plug. cap, field-wireable via screw terminals**

8-way, 5-pole  
Screw plug-in terminals  
potential separation as option  
with LED for digital PNP-signals 24 V DC

**Image**

- with screw-plug terminals for field wiring

**Approvals****Contact layout**

Contact 1	(+)
Contact 2	(N/C)/(S2)
Contact 3	(-)
Contact 4	(N/O)/(S1)
Contact 5	(Earth)
LED display	LED (green): Power    LED (yellow): Signal (S1/S2)

**Technical Data**

Operating voltage	24 V DC
Signal per port	2
Operating current per contact (40 °C)	max. 4 A
Total current	max. 2 x 8 A
Connection	Screw plug-in terminals max. 1.5 mm <sup>2</sup> (AWG 16)
Housing	Plastic, flame retardant
Protection	IP65 and IP67 when plugged and screwed down (EN IP67)
Temperature range	-20...+80 °C

**Technical data M12 port**

Locking of ports	Screw thread M12 x 1 mm
------------------	-------------------------

**Commercial data**

Gross weight	141
Net weight	141
Weight unit	gram
Basic unit	pc.
Customs tariff number	85369010
Unit (piece)	1
Limited value	1

**Accessories**

	Art.-No.
M12 plastic lock screw	58627
DIN-rail adapter	27905
Label plate for use with MVP 17X9mm, white, 2 sets=12 pieces.	996050
Coding element PU 6 for use with MVP12 / MVP8 - plug. clamps	996054
adaptor M12 male/ M8 female 3p., seizure 1,3,4	7000-42201-000000

All data on this data sheet was compiled carefully.

Liability regarding correctness, completeness, and actuality is limited to gross negligence. Created: 01/12

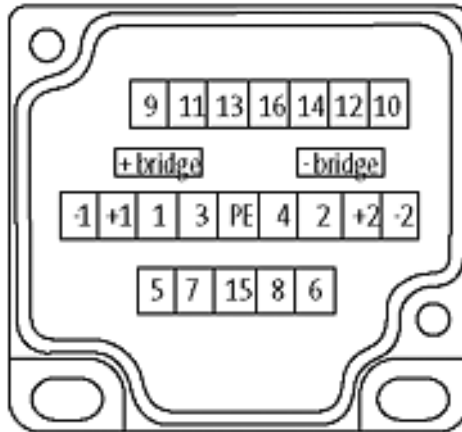
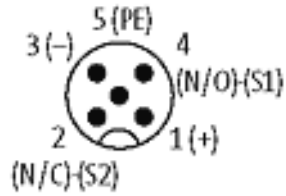
**Comments**

Plastic housings with good resistance against chemicals and oils.

The resistance to aggressive media should be individually tested for your application. Further details on request.

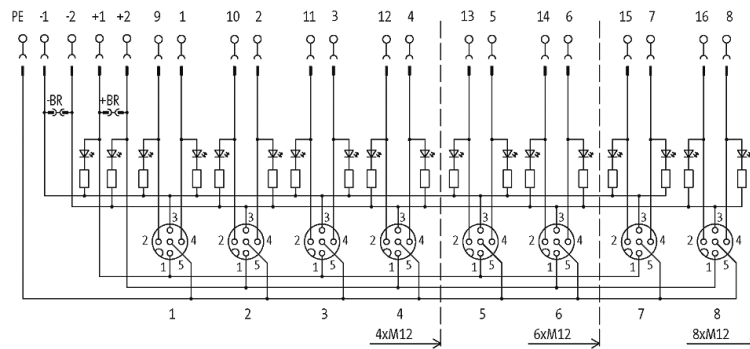
Contact layout

M12 Females 5-pole

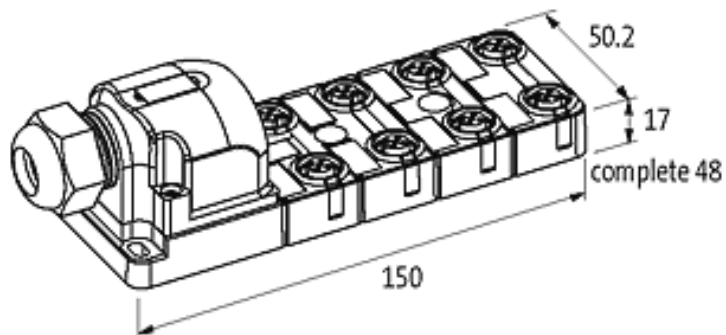


for 2 signals per port

Circuit diagram



Dimension drawing



**De-rating curve**