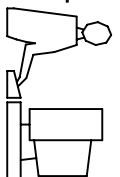
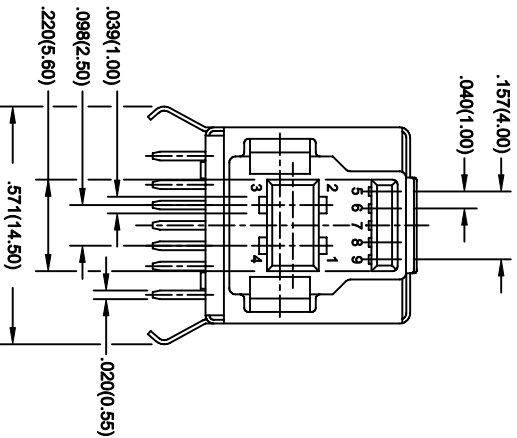
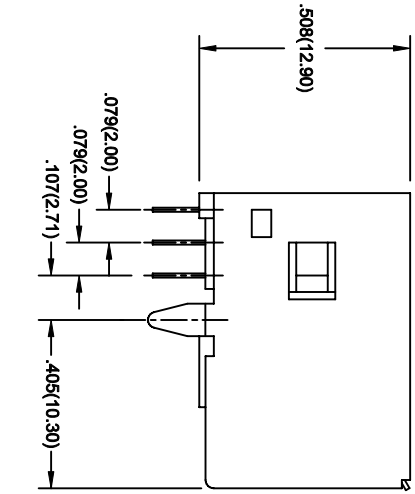
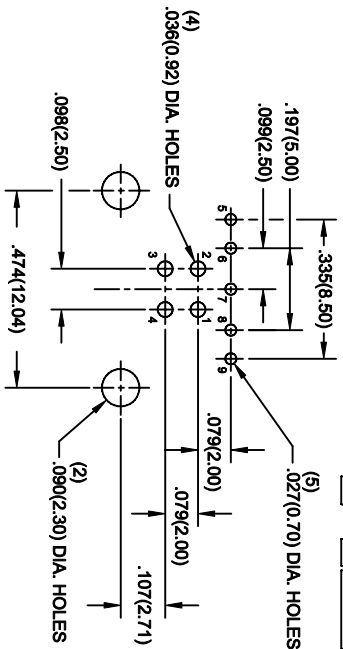
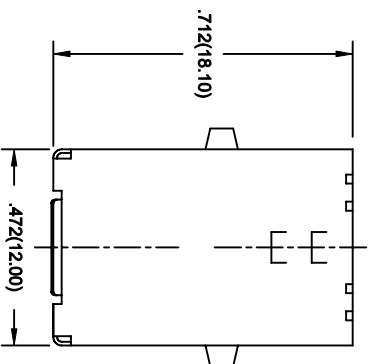


THIS IS A CAD GENERATED DRAWING
DO NOT MAKE MANUAL REVISIONS TO MASTER.



ISSUE NUMBER
ORIGINAL

①



ELECTRICAL SPECIFICATIONS:

CURRENT RATING: 1 AMP, 30VAC
CONTACT RESISTANCE: 30 MILLIOHMS MAX.
INSULATION RESISTANCE: 1000 MEGOHMS MIN.
DWM: 500VAC
TEMPERATURE RATING: -50°C TO +105°C

MATERIALS:

HOUSING AND COVER: PBT 30%G.F. UL94V-0 COLOR BLACK
CONTACTS: COPPER ALLOY, PLATED WITH 15 MICRONS OF GOLD
ON CONTACT AREA, TIN ON TAILS OVER NICKEL
SHELL: BRASS, NICKEL PLATED
COVER SHELL: COPPER ALLOY, NICKEL PLATED

THIS SERIES FULLY CONFORMS TO THE
EUROPEAN UNION DIRECTIVES 2002/95/EC
AND 2002/96/EC FOR RoHS COMPLIANCY.



USB-B RECEPTACLE 90° DIP, 3.0 VERSION

EDAC INC
TORONTO, ONTARIO
CANADA
YOUR CONNECTION TO QUALITY & SERVICE

THESE DRAWINGS AND SPECIFICATIONS
ARE THE PROPERTY OF EDAC INC. AND
SHALL NOT BE REPRODUCED OR COPIED
OR USED AS THE BASIS FOR THE
MANUFACTURE OR SALE OF APPARATUS
WITHOUT WRITTEN PERMISSION.

ACAD REFERENCE NO. 690-009-521-900

DRAWN: F. BRIONES DATE: AUG.17/09

PART NUMBER

690-009-521-900

DRAWING NUMBER

690-009-521-900

ISSUE

1