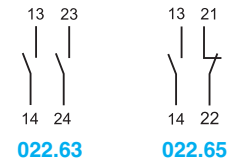
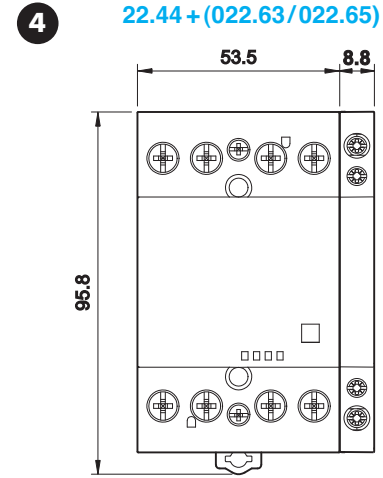
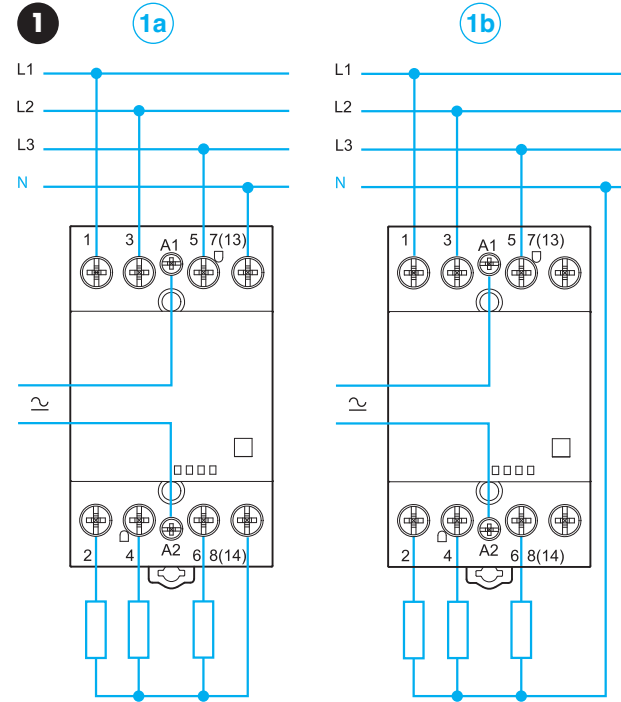
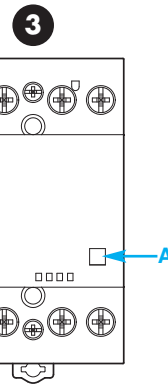
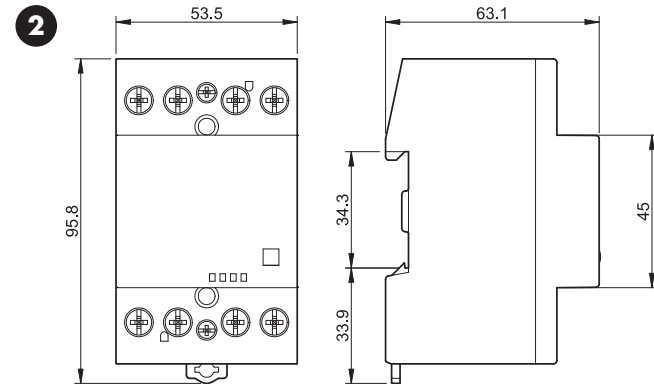




22.44.0.xxx.4x10			
	U_N [12-24-110...120 (110 V DC) - 230...240 (220 V DC)] VAC (50/60Hz)/DC $U_{min} - U_{max}$ (0.85-1.1) U_N P 5 VA (50Hz)/5 W		
	 A1 1 3 5 7 A2 2 4 6 8 4 NO (4310)	 A1 1 3 5 7 A2 2 4 6 8 3 NO + 1 NC (4710)	 A1 1 3 5 7 A2 2 4 6 8 2 NO + 2 NC (4610)
	40 A 440 VAC (EN 61095: 2009 - EN 60947-4-1: 2009)		
	AC1/AC-7a (400V) 16000 VA		4000 W
	AC3/AC-7b (400V) 22 A		1500 W
	DC1 (30/110/220)V (40/4/1.2) A	CFL-LED	1000 W
	M (400 - 440 VAC) 11 kW		
	(-5...+55)°C		
IP20			



022.63	2 NO (DPST-NO)
022.65	1 NO (SPST-NO) + 1 NC (SPST-NC)
	AC1 6 A AC15 (230 V AC) 700 VA



22.44 MODULAR CONTACTORS 40 A

Compliant with EN 61095:2009 and with EN 60947-4-1: 2009.

1 CONNECTION DIAGRAM

1a Line and neutral switched

1b Line only switched

2 OUTLINE DRAWINGS

3 FRONT VIEW

A = Mechanical indicator

4 ACCESSORIES

Auxiliary contact module available (022.63/022.65) for "Quick assembly" to the main contactor.

NOTE

- The maximum ambient temperature for 3 adjacent contactors is +40°C. Where more than 3 contactors are installed, it is necessary to interpose an air gap of 9 mm between each group of three contactors.

- The maximum ambient temperature for 2 adjacent contactors is +55°C. Where more than 2 contactors are installed, it is necessary to interpose an air gap of 9 mm between each group of two contactors.

- Operate/release time: (20/45) ms.