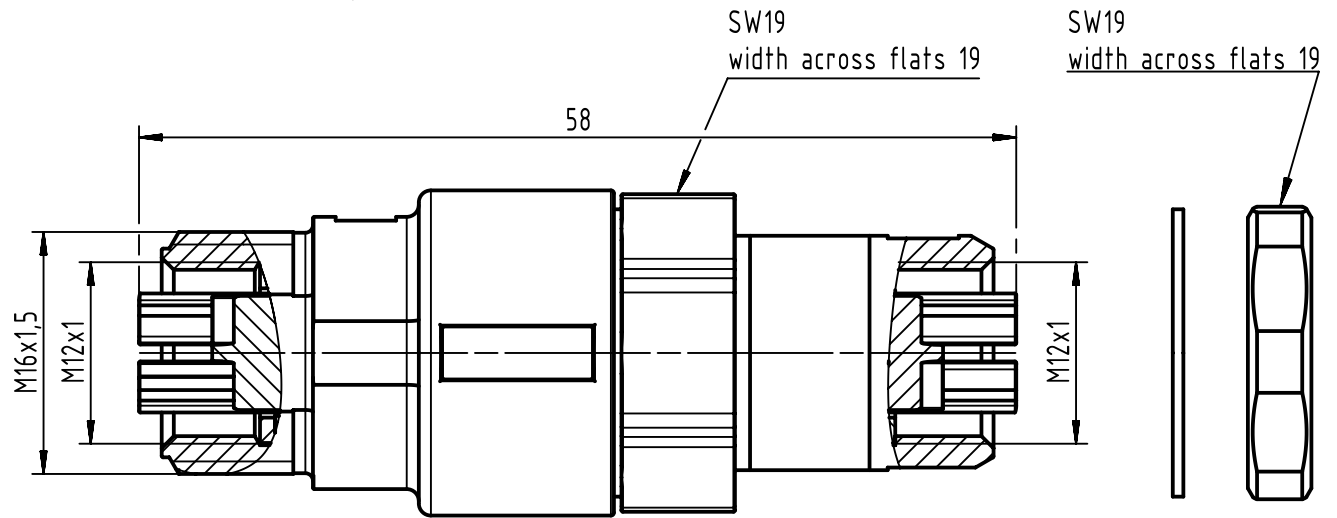
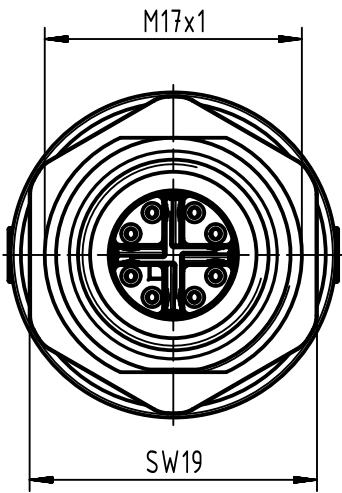
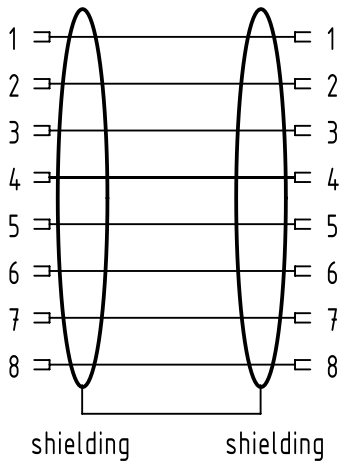


1 2 3 4 5 6

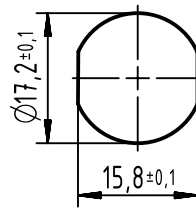
without flat seal and nut



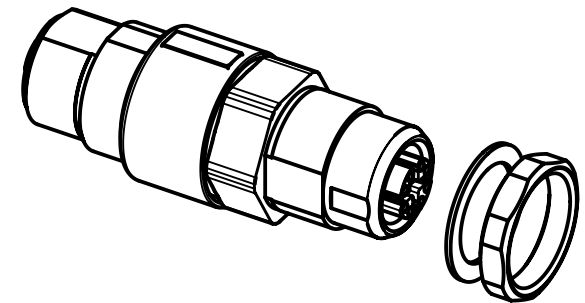
schematic diagram



Panel cut out  
(1:1)



(1:1)



	All rights reserved Department EC PD - RO	All Dimensions in mm Original Size DIN A4		Scale 2:1	Free size tol.	Ref. Sub.
		Created by STOICA	Inspected by AVRAM	Standardisation HOFFMANN	Date 2015-12-09	State Final Release
HARTING Electronics GmbH D-32339 Espelkamp		Title M12 har-speed gender changer			Doc-Key / ECM-Nr. 100516695/UGD/014/F 500000096805	
		Type TB	Number 21033816815		Rev. F	Page 1/1