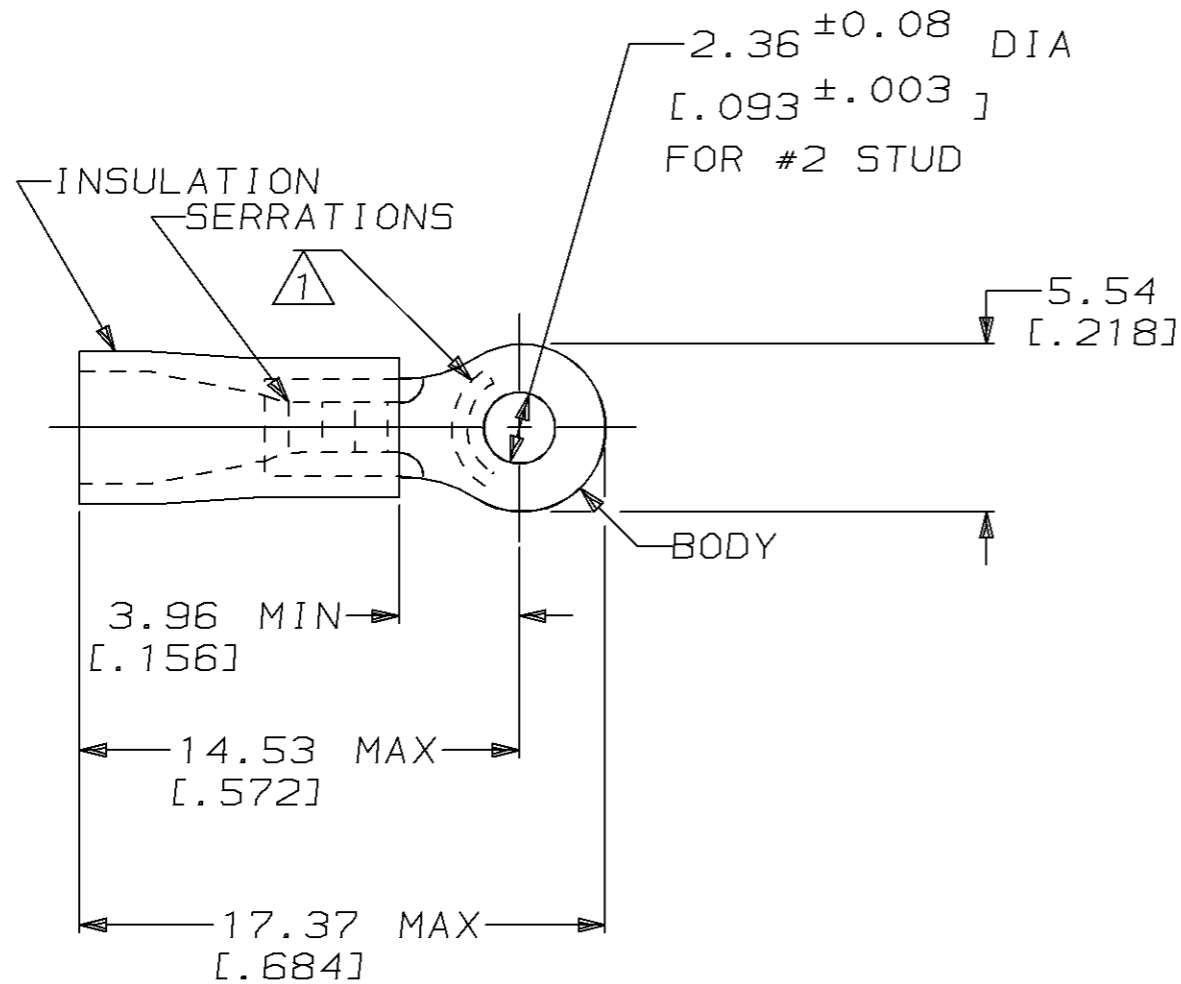


THIS DRAWING IS UNPUBLISHED. RELEASED FOR PUBLICATION, 19 .
 © COPYRIGHT 19 BY AMP INCORPORATED. ALL INTERNATIONAL RIGHTS RESERVED.

LOC	DIST	P	F	REVISIONS				
G	14			ZONE	LTR	DESCRIPTION	DATE	APPD
					F	REV / 0720-0560-95	28MAR95	MLE GN

AMP WIRE RANGE	UL Listed	LR7189 Certified
22-16 AWG SOLID OR STRANDED	22-16 AWG SOLID OR STRANDED	22-16 AWG SOLID OR STRANDED



- ① STAMP AMP 22-18* 1-2 APPROX AS SHOWN
22-16 TERMINALS ARE STAMPED 22-18 IN
ACCORDANCE WITH MILITARY SPEC MIL-T-7928
COMMERCIAL WIRE RANGE IS 22-16
- 2 WIRE INSULATION DIA: 2.67-3.56 [.105-.140]
- 3 TONGUE MATERIAL THK: 0.79±0.05 [.031±.002]

100	LOOSE PC, BOX	8-34140-1
5000	ON TAPE, REEL	2-34140-1
1000	LOOSE PIECE	34140
QUANTITY	PACKAGE TYPE	PART NO

AMP INCORPORATED
CUSTOMER SERVICE SYSTEMS

FOR ADDITIONAL PRODUCT INFORMATION OR COPIES OF DRAWINGS AND TECHNICAL DOCUMENTS
 PRODUCT INFORMATION CENTER
 1-800-522-6752

FOR APPLICATION TOOLING INFORMATION
 TOOLING ASSISTANCE CENTER
 1-800-722-1111

FOR ORDER ENTRY
 1-800-526-5142

MAX RECOMMENDED OPERATING TEMPERATURE:
 90°C [194°F]

VOLTAGE RATING:
 600V MAX
 1000V (FIXTURE OR SIGNS)

CIRCULAR MIL AREA:
 0.26-1.65mm² [509-3,260]

DO NOT SCALE PRINT. UNLESS SPECIFIED DIMENSIONS IN mm [INCHES] TOLERANCES ON:
 2 PLC DEC ± 0.20 [.008]
 3 PLC DEC ± -
 ANGLES ± -

MATERIAL
 COPPER PER ASTM B-152
 PVC COLOR: RED

FINISH
 TIN PLATE
 PER MIL-T-10727

DR 08/06/92
 DK SCHRUM

CHK 11/10/92
 RE HERSEY

APPD 11/10/92
 ML ELLIS

APPD 11/10/92
 M BARNABA

PRODUCT SPEC
 UL 486A

APPLICATION SPEC
 -

WEIGHT -

AMP AMP Incorporated
 Harrisburg, PA 17105-3608

NAME
 TERMINAL, RING TONGUE, PLASTI-GRIP™
 WIRE SIZE, 22-16 AWG

SIZE **B** CAGE CODE 00779 DRAWING NO **C-34140**

SCALE 4:1 SHEET 1 OF 1