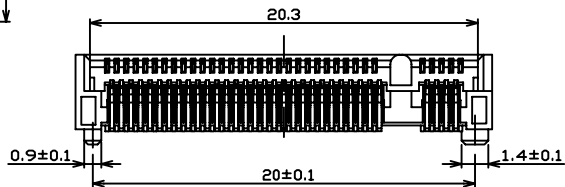
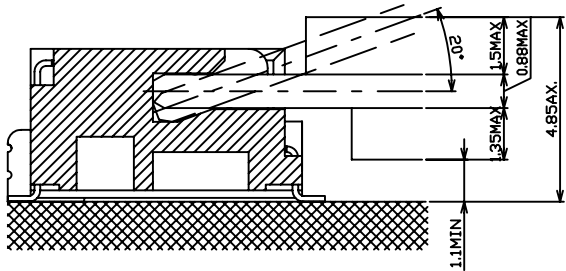
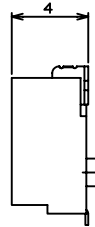
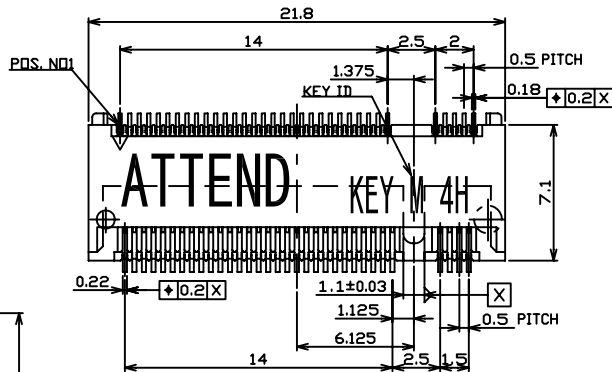
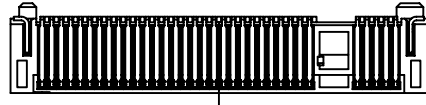
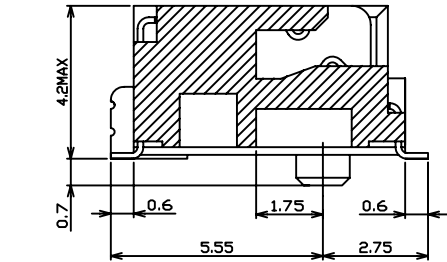


1	2	3	4	5	6	7	8	9	10
SWITCH CIRCUIT			MATERIAL AND FINISH AS BELOW						
WHEN CARD IS EJECTED		WHEN CARD IS INSERTED		A	Housing	LCP UL94V-0, Black	E		
				B	Contact	Phosphor Bronze C5210, Contact Area:Gold Flash Over Nickel	F		
				C	Holddown	Brass C2680, Tin Plated	G		
				D			H		



SPECIFICATION:

1. ELECTRICAL

- 1.1 Current Rating: 0.5A per pin
- 1.2 Voltage Rating: 50V DC
- 1.3 Contact Resistance: 55mΩ Max
- 1.4 Insulation Resistance: 500MΩ Min
- 1.5 Dielectric Withstanding Voltage: 300VAC

2. MECHANICAL

- 2.1 Durability: 200 Cycle
- 2.2 Insertion Force: 20N max.
- 2.3 Extraction Force: 25N max.

3. ENVIRONMENTAL

- 3.1 Operating temperature range: -40°C~+85°C
- 3.2 Storage temperature range: -40°C~+85°C

4. SOLDER ABILITY

- 4.1 Recommended IR Reflow Temperature: 260°C 10Sec
- 4.2 Recommended PCB Thickness: 1.0mm

P1	P2	P3	P4	P5	P6	P7	P8	P9	P10	P11	P12
----	----	----	----	----	----	----	----	----	-----	-----	-----

PIN ASSIGNMENT

123A-42MA0-R01	M.2 Connector, Key M Type Pitch:0.50mm H:4.2mm, Contact Area:Gold Flash
----------------	---

PRODUCT NO.	DESCRIPTION
-------------	-------------

UNLESS OTHERWISE SPECIFIED TOLERANCE

ANGLES	ANG.	±5°
LINEAR	0.	±0.3
	0.0	±0.25
	0.00	±0.20

SCALE AS SHOWN UNIT: mm

DRAWN Willis 2013/12/09

CHECKED Angel 2013/12/09

APPROVED Ken 2013/12/09



www.attend.com.tw

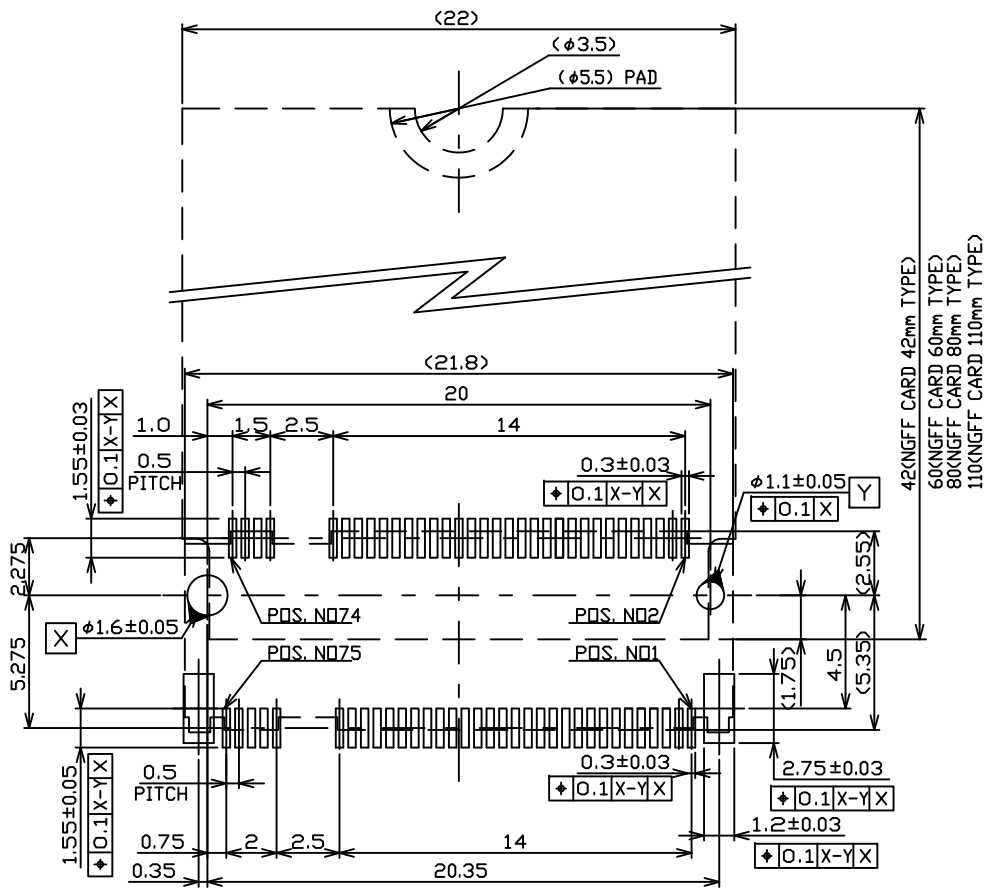
DRAWN NAME: M.2 Connector Key M H:4.2mm

PRODUCT NO. 123A-42MA0-R01

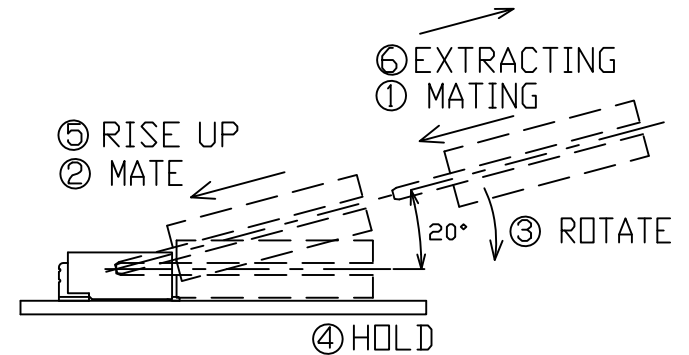
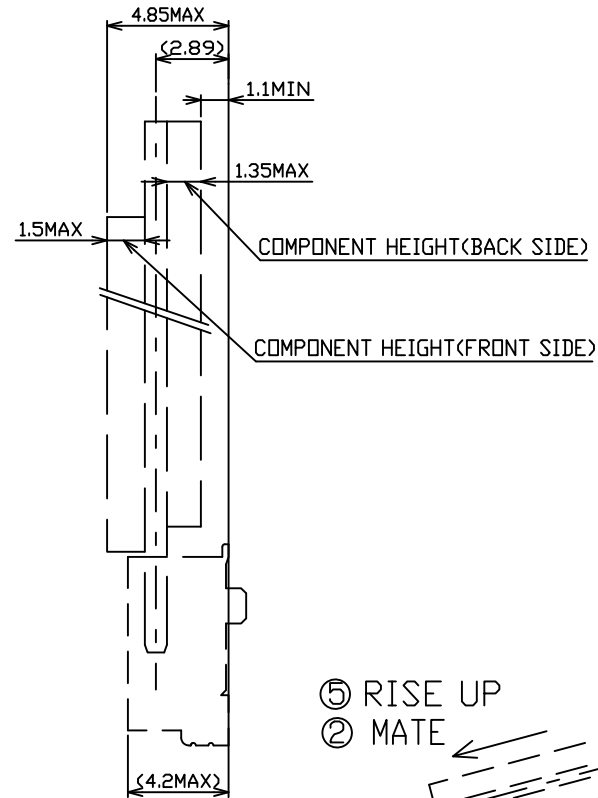
REV.	DESCRIPTION	DATE	REV.	DESCRIPTION	DATE
1			4		
2			5		
3			6		



DATE	SIZE A4	REV. 1.0	FILE NAME	123A-42MA0-R01_B_1
------	---------	----------	-----------	--------------------

- △ Revise:
- △ Revise:
- △ Revise:



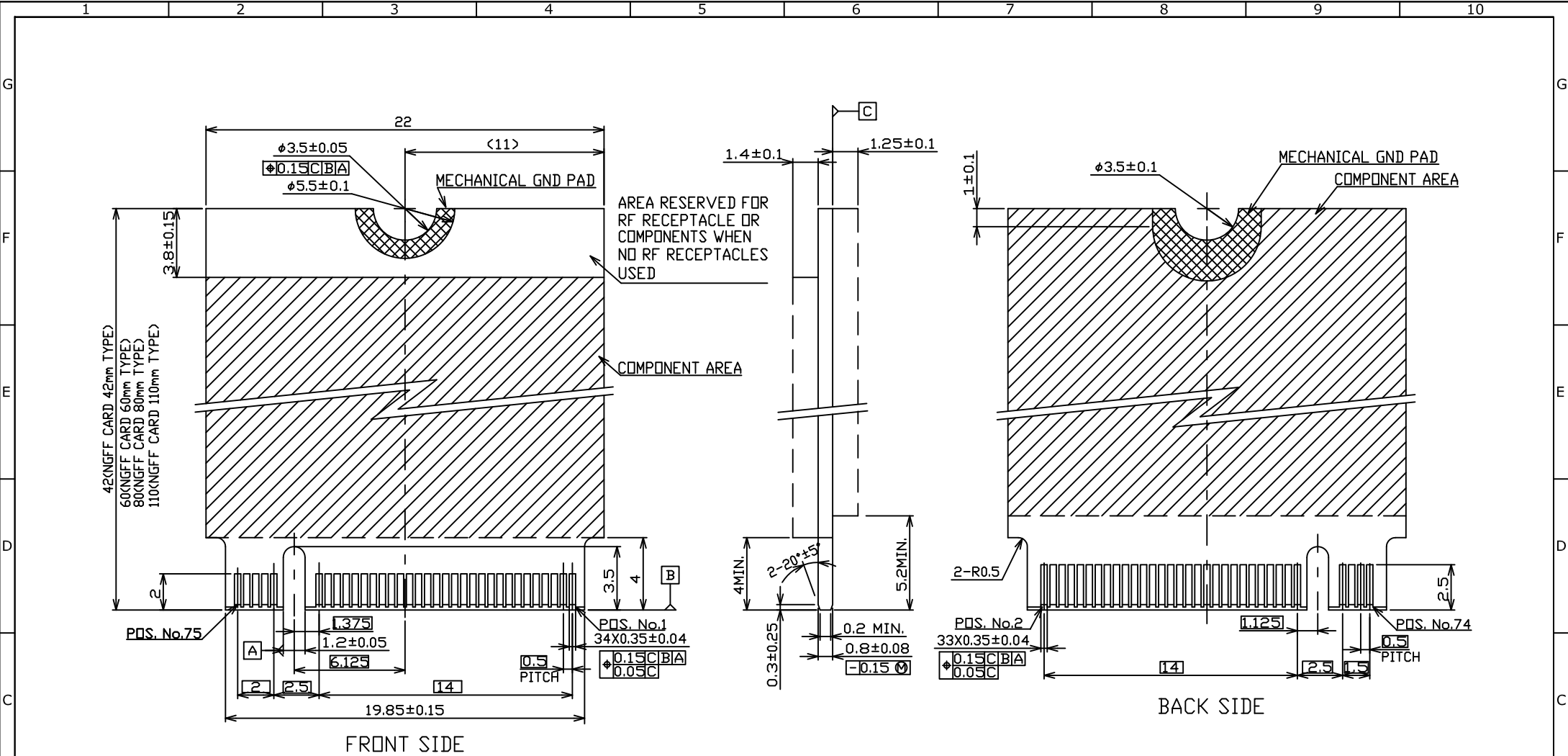
KEY ID "M"
RECOMMENDED P.C.BOARD LAYOUT




						UNLESS OTHERWISE SPECIFIED TOLERANCE			 www.attend.com.tw		
						ANGLES	ANG.	±5°			
						LINEAR	0.	±0.3			
							0.0	±0.25			
							0.00	±0.20			
						SCALE	AS SHOWN	UNIT: mm			
						DRAWN	Willis	2013/12/09	DRAWN NAME:		
						CHECKED	Angel	2013/12/09	M.2 Connector Key M H:4.2mm		
						APPROVED	Ken	2013/12/09	PRODUCT NO.	123A-42MA0-R01	
REV.	DESCRIPTION	DATE	REV.	DESCRIPTION	DATE	 SIZE A4		REV.	1.0	FILE NAME	123A-42MA0-R01_B_1
1											

A
3
Revise:
2
Revise:
1
Revise:

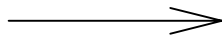
A



KEY ID "M"
RECOMMENDED MODULE LAYOUT

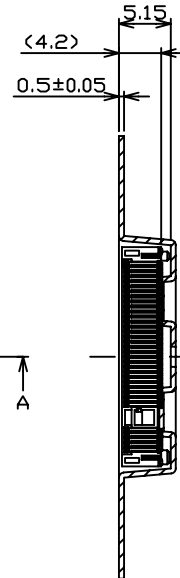
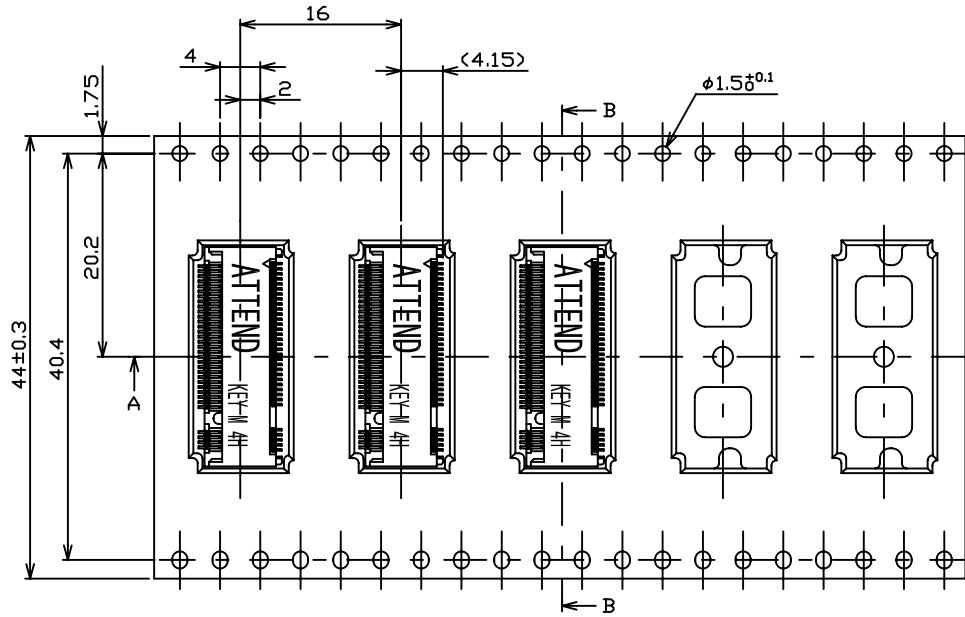
				UNLESS OTHERWISE SPECIFIED TOLERANCE			 www.attend.com.tw	
				ANGLES	ANG.	±5°		
				LINEAR		0.	±0.3	
						0.0	±0.25	
						0.00	±0.20	
				SCALE	AS SHOWN	UNIT: mm		
				DRAWN	Willis	2013/12/09	DRAWN NAME:	
				CHECKED	Angel	2013/12/09	M.2 Connector Key M H:4.2mm	
				APPROVED	Ken	2013/12/09	PRODUCT NO.	
							123A-42MA0-R01	
REV.	DESCRIPTION	DATE	REV.	DESCRIPTION	DATE	SIZE	REV.	
1						A4	1.0	
							FILE NAME	123A-42MA0-R01_B_1

DIRECTION OFF TOP OF REEL

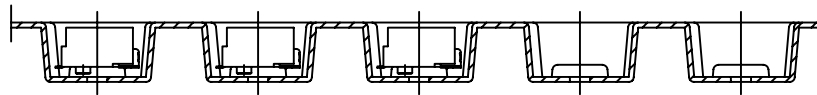


NOTES:

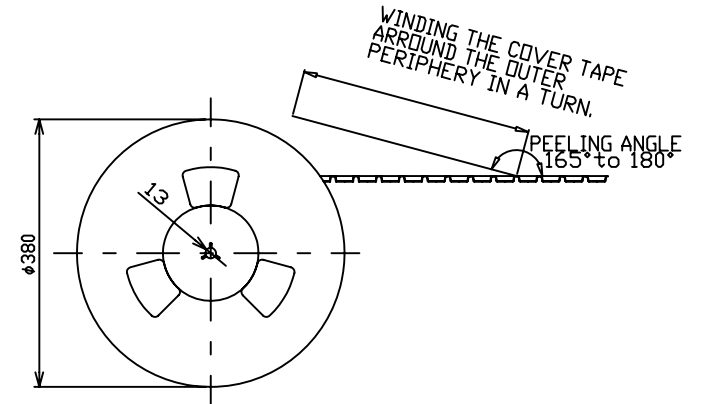
1. THE DIRECTION OF EACH CONNECTOR ON A EMOSS IS REFERED TO THIS DRAWING.
2. GENERAL TOLERANCE : ± 0.5 , $\pm 3^\circ$
3. PACKAGED IN EMOSS TAPE AND PLASTIC REEL 1000 PCS PRE REEL.



SECT B-B



SECT A-A



UNLESS OTHERWISE SPECIFIED TOLERANCE		
ANGLES	ANG.	±5°
LINEAR	0.	±0.3
	0.00	±0.20
SCALE	AS SHOWN	UNIT: mm
DRAWN	Willis	2013/12/09
CHECKED	Angel	2013/12/09
APPROVED	Ken	2013/12/09



www.attend.com.tw

DRAWN NAME: M.2 Connector Key M H:4.2mm

PRODUCT NO. 123A-42MA0-R01

FILE NAME 123A-42MA0-R01_D_1

REV.	DESCRIPTION	DATE	REV.	DESCRIPTION	DATE
1			2		
3			4		
5			6		
7			8		
9			10		



SIZE A4

REV. 1.0