

1	2	3	4	5	6	7	8	9	10
SWITCH CIRCUIT			MATERIAL AND FINISH AS BELOW						
WHEN CARD IS EJECTED		WHEN CARD IS INSERTED		A	Housing	LCP UL94V-0, Black	E		
				B	Contact	Phosphor Bronze C5210, Contact Area:Gold Flash Over Nickel	F		
				C	Holddown	Brass C2680, Tin Plated	G		
				D			H		

**SPECIFICATION:**

**1. ELECTRICAL**

- 1.1 Current Rating: 0.5A per pin
- 1.2 Voltage Rating: 50V DC
- 1.3 Contact Resistance: 55mΩ Max
- 1.4 Insulation Resistance: 500MΩ Min
- 1.5 Dielectric Withstanding Voltage: 300VAC

**2. MECHANICAL**

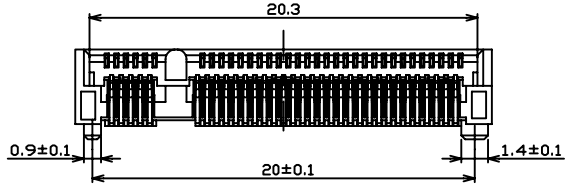
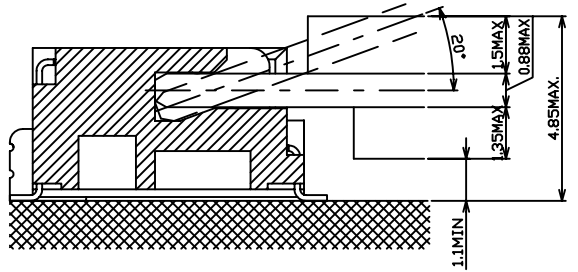
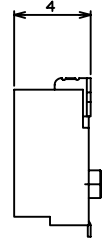
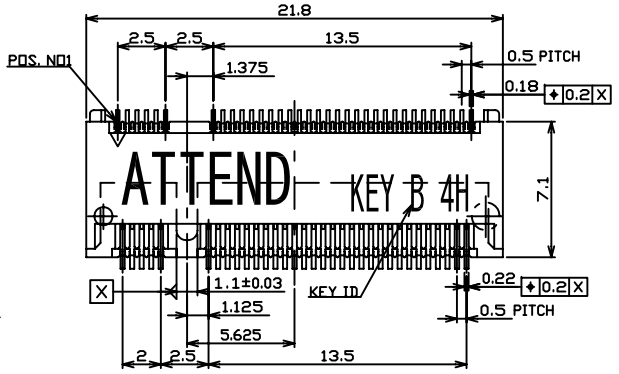
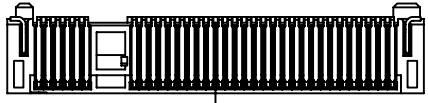
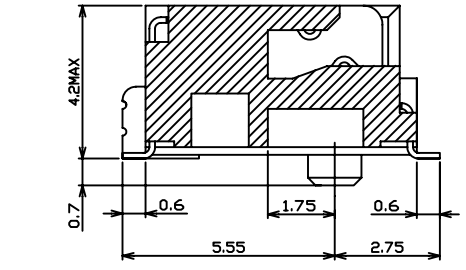
- 2.1 Durability: 200 Cycle
- 2.2 Insertion Force: 20N max.
- 2.3 Extraction Force: 25N max.

**3. ENVIRONMENTAL**

- 3.1 Operating temperature range: -40°C~+85°C
- 3.2 Storage temperature range: -40°C~+85°C

**4. SOLDER ABILITY**

- 4.1 Recommended IR Reflow Temperature: 260°C 10Sec
- 4.2 Recommended PCB Thickness: 1.0mm

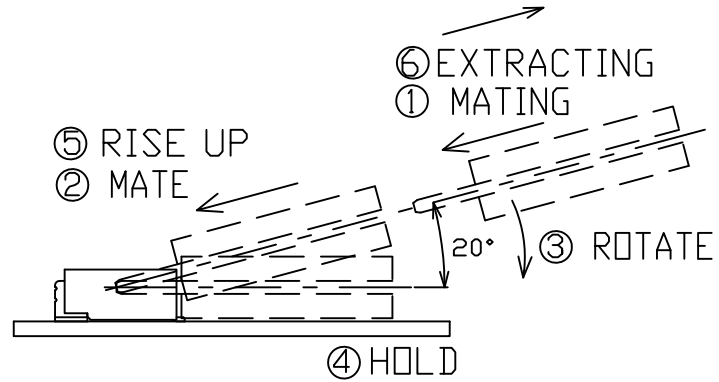
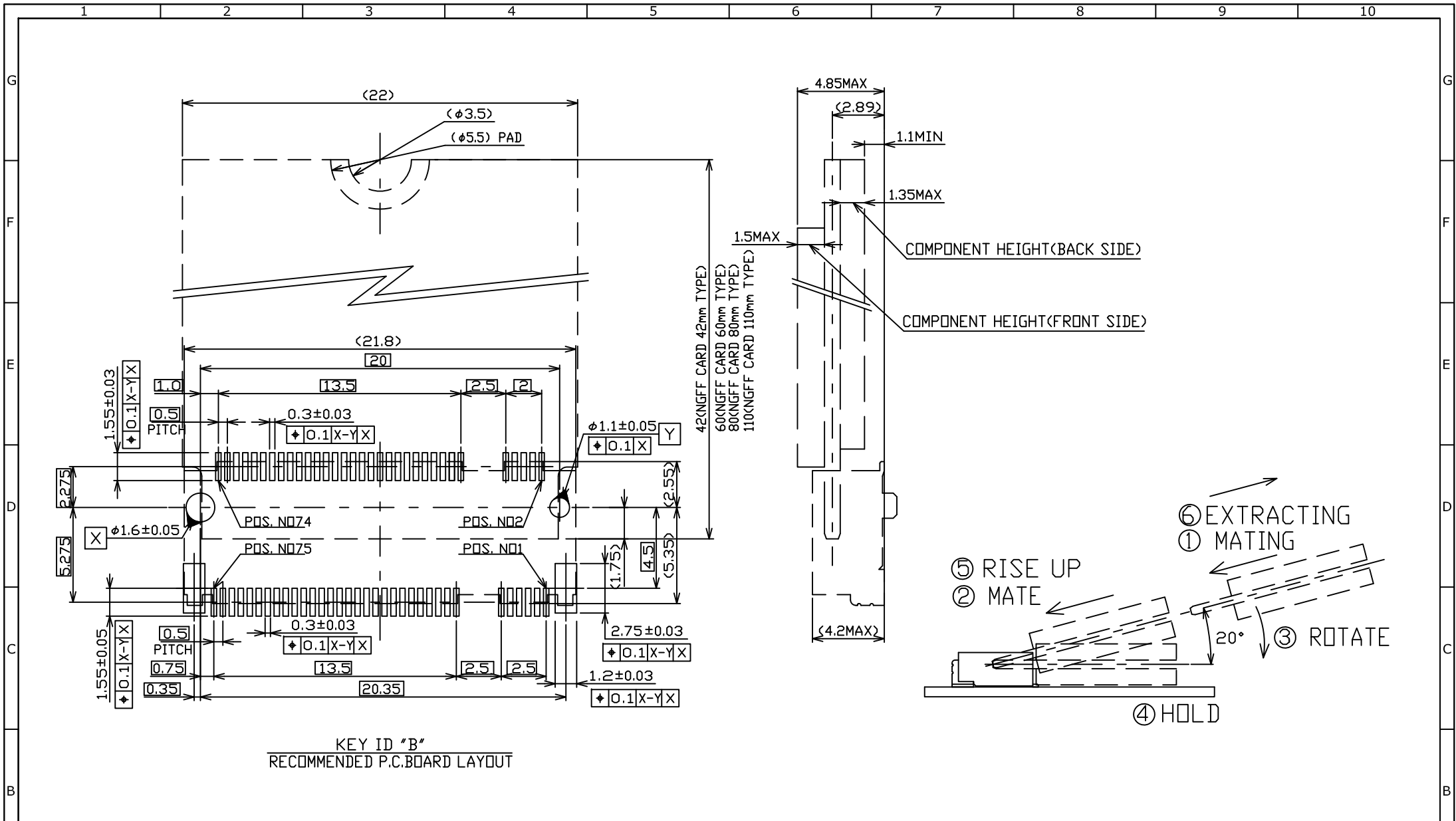



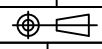
P1	P2	P3	P4	P5	P6	P7	P8	P9	P10	P11	P12
PIN ASSIGNMENT											
123A-42BA0-R01 M.2 Connector, Key B Type Pitch:0.50mm H:4.2mm, Contact Area:Gold Flash											
PRODUCT NO.						DESCRIPTION					

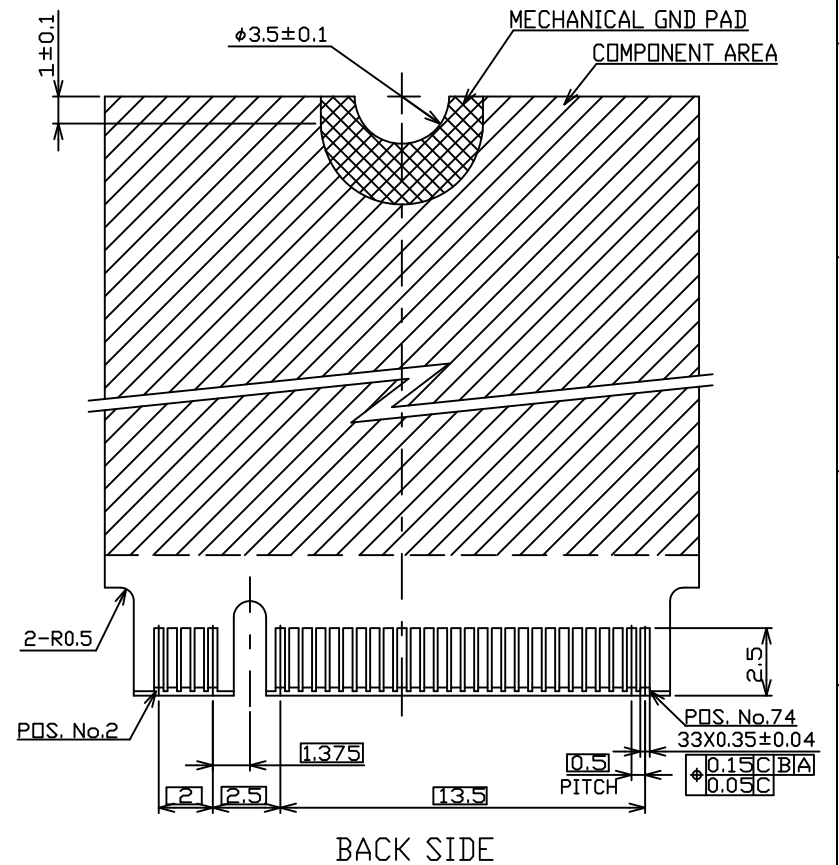
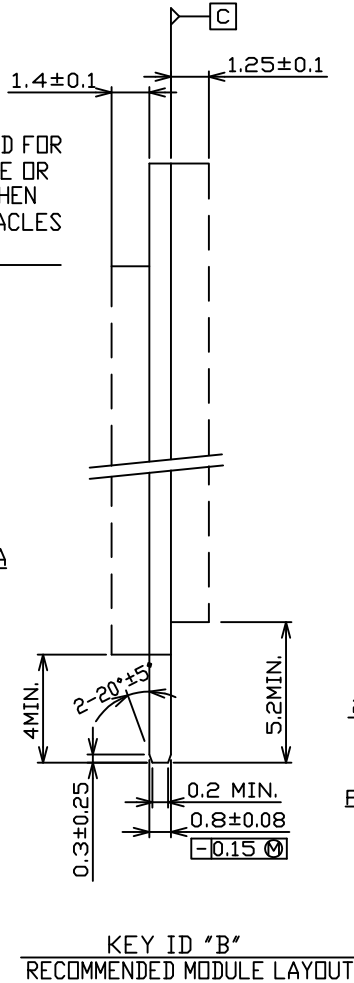
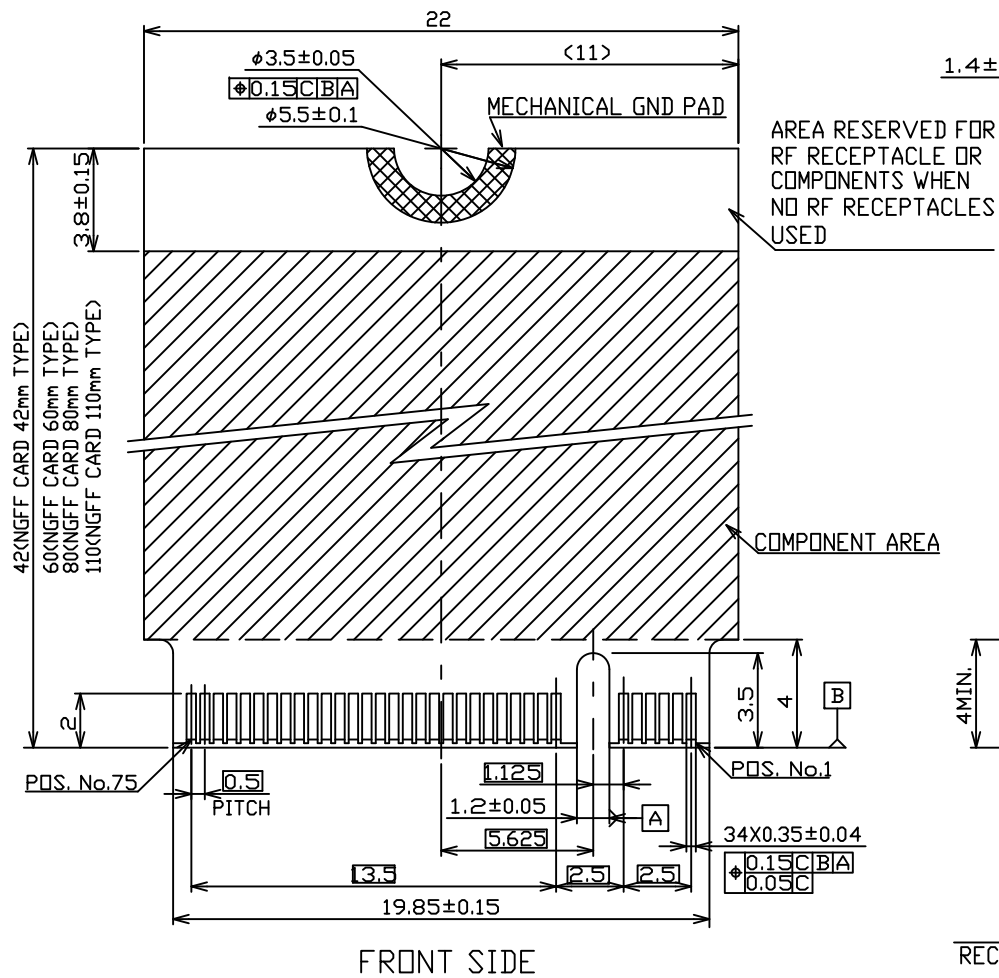
UNLESS OTHERWISE SPECIFIED TOLERANCE		
ANGLES	ANG.	±5°
LINEAR	0.	±0.3
	0.0	±0.25
	0.00	±0.20
SCALE	AS SHOWN	UNIT: mm
DRAWN	Willis	2013/12/09
CHECKED	Angel	2013/12/09
APPROVED	Ken	2013/12/09



3	Revise:										
2	Revise:										
1	Revise:										
REV.	DESCRIPTION	DATE	REV.	DESCRIPTION	DATE	SIZE	REV.	FILE NAME	PRODUCT NO.		
1						A4	1.0	123A-42BA0-R01_B_1	123A-42BA0-R01		



						UNLESS OTHERWISE SPECIFIED TOLERANCE			 www.attend.com.tw	
						ANGLES	ANG.	±5°		
						LINEAR	0.	±0.3		
							0.0	±0.25		
						0.00	±0.20			
						SCALE	AS SHOWN	UNIT: mm		
						DRAWN	Willis	2013/12/09	DRAWN NAME:	
						CHECKED	Angel	2013/12/09	M.2 Connector Key B H:4.2mm	
						APPROVED	Ken	2013/12/09	PRODUCT NO.	123A-42BA0-R01
REV.	DESCRIPTION	DATE	REV.	DESCRIPTION	DATE	 SIZE A4		REV. 1.0	FILE NAME	123A-42BA0-R01_B_1
1										



UNLESS OTHERWISE SPECIFIED TOLERANCE				DRAWN NAME:	
ANGLES	ANG.	±5°	www.attend.com.tw		
LINEAR	0.	±0.3	DRAWN NAME: M.2 Connector Key B H:4.2mm		
	0.0	±0.25	SCALE	AS SHOWN	UNIT: mm
	0.00	±0.20	DRAWN	Willis	2013/12/09
			CHECKED	Angel	2013/12/09
			APPROVED	Ken	2013/12/09
REV.	DESCRIPTION	DATE	REV.	DESCRIPTION	DATE
1			1		
2			2		
3			3		
4			4		
5			5		
6			6		
7			7		
8			8		
9			9		
10			10		



REV.	DESCRIPTION	DATE	REV.	DESCRIPTION	DATE
1			1		
2			2		
3			3		
4			4		
5			5		
6			6		
7			7		
8			8		
9			9		
10			10		



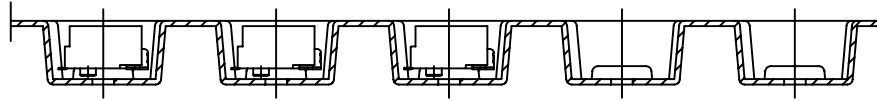
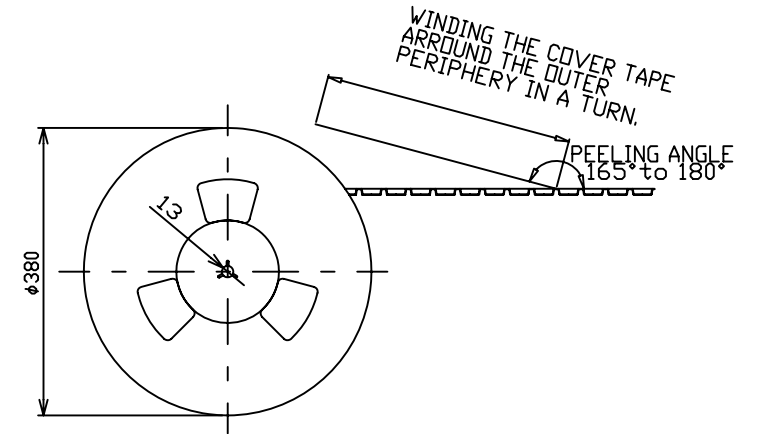
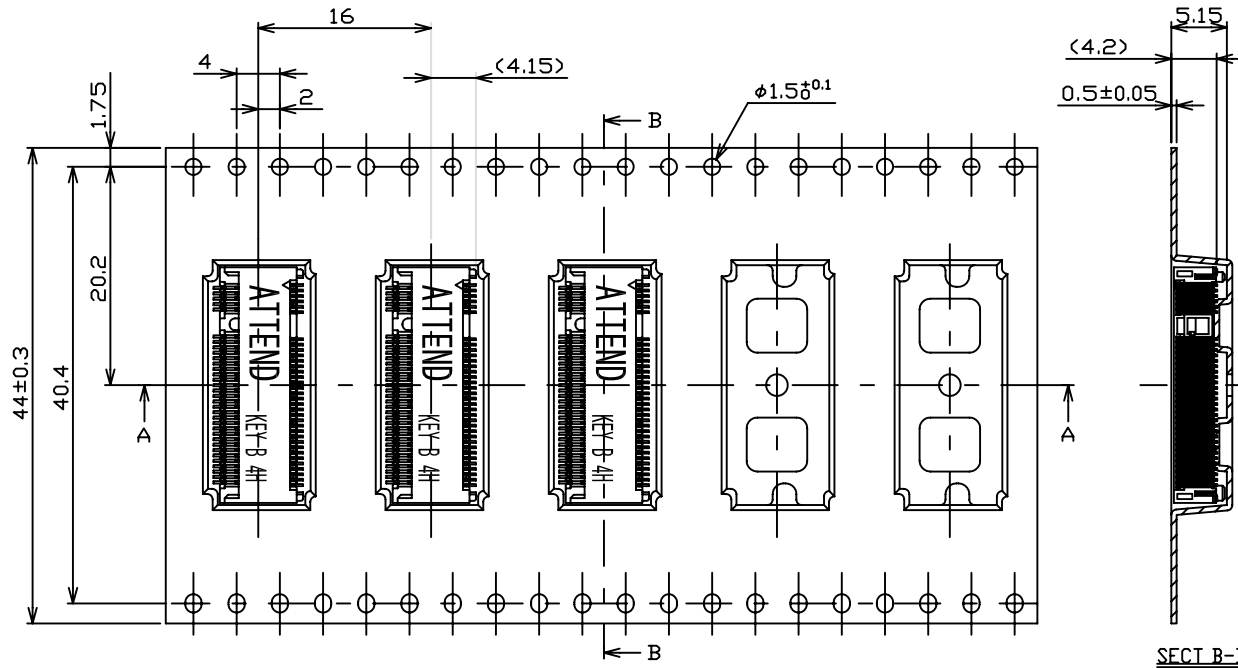
SIZE A4 REV. 1.0

FILE NAME 123A-42BA0-R01\_B\_1

DIRECTION OF TOP OF REEL

NOTES:

1. THE DIRECTION OF EACH CONNECTOR ON A EMBOSS IS REFERED TO THIS DRAWING.
2. GENERAL TOLERANCE :  $\pm 0.5$  ,  $\pm 3^\circ$
3. PACKAGED IN EMBOSS TAPE AND PLASTIC REEL 1000 PCS PRE REEL.



SECT B-B

SECT A-A

UNLESS OTHERWISE SPECIFIED TOLERANCE		
ANGLES	ANG.	$\pm 5^\circ$
LINEAR	0.	$\pm 0.3$
	0.0	$\pm 0.25$
	0.00	$\pm 0.20$
SCALE	AS SHOWN	UNIT: mm
DRAWN	Willis	2013/12/09
CHECKED	Angel	2013/12/09
APPROVED	Ken	2013/12/09



www.attend.com.tw

DRAWN NAME: M.2 Connector Key B H: 4.2mm

PRODUCT NO. 123A-42BA0-R01

FILE NAME 123A-42BA0-R01\_D\_1

REV.	DESCRIPTION	DATE	REV.	DESCRIPTION	DATE
1			2		
3			4		
5			6		
7			8		
9			10		



SIZE A4 REV. 1.0