

- Material:
Insulator: LCP+30% G.F., UL 94V-0 Rated Color:Black
Contact: Phosphor Bronze , 0.25t
- Plating:
Contact Area:Gold plating over 50u"Nickel underplating.
Soldering Zone: 100%TIN over 50u" min. Ni underplate overall.
Au Contact Area:10u" Gold Plating.
- Inspection Dimension: ■ Critical
- Note: 4.This soldering pad is optional and shall be grounding.
- Insertion Force:15N max
Extraction Force:0.15N min
Card Retention Force: 688g max. Avrg: 543g.
- Operating temperature -40~+85 °C
Storage temperature -40 ~+85 °C

PRODUCT NUMBER:
104G-I A A 0-R-R
1 2 3 4 5

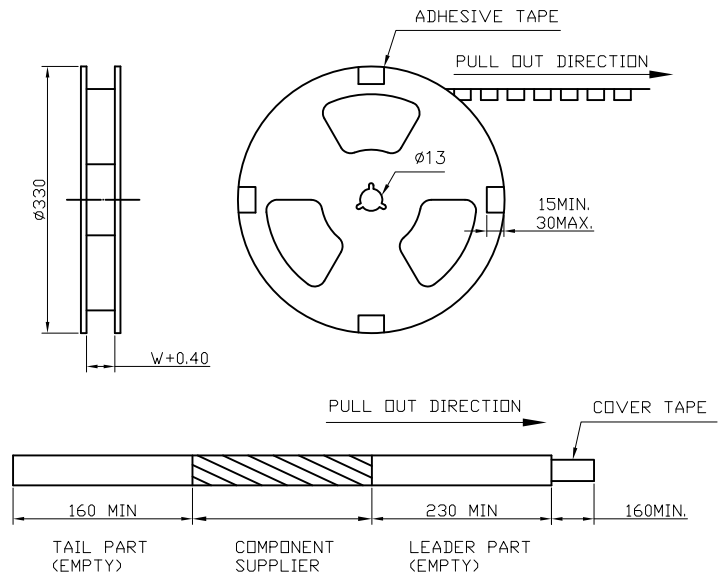
- Type
T:Top Mount
- Contact Plating
A:10u"Gold
- Stand Off
A:0mm
- R= RoHS
- Packaging
R= Reel

PIN NO.	PIN ASSIGNMENT
1	DAT3/CS/CD
2	CMD
3	VSS1
4	VDD
5	CLK
6	VSS2
7	DAT0
8	DAT1
9	DAT2

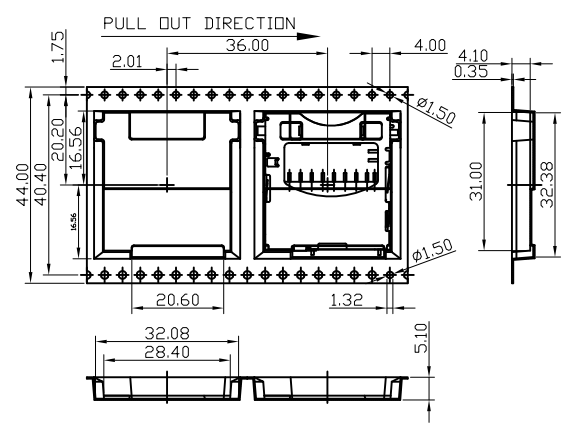
△Datecode
6 35 4
YEAR | DAY (1~7)
WEEK (1~52)

A	△	Revise: Shell dimensions, add datecode	2016/08/30				UNLESS OTHERWISE SPECIFIED TOLERANCE		 www.attend.com.tw DRAWN: Fros 2016/08/30 CHECKED: Tim 2016/08/30 APPROVED: Ken 2016/08/30 DRAWN NAME: SD Socket Top Mount, Push-Push Type With Card Lock Function PRODUCT NO. 104G-TAA0-R-R FILE NAME 104G-TAA0-R-R_B_7	
	△	Revise: Shell dimensions	2014/09/18				ANGLES	ANG.		±5°
	△	Revise: ATTEND logo	2013/07/02				LINEAR	0.		±0.3
	△	Revise: Temperature specifications	2013/05/02					0.0		±0.25
	△	Revise: Brand identity	2012/08/03				SCALE	AS SHOWN		UNIT: mm
	△	Revise: Pin Assignment	2010/01/19							
△	Revise: Drawing release	2009/12/29								
REV.		DESCRIPTION	DATE	REV.		DESCRIPTION	DATE	SIZE A4	REV. 1.0	
1				4						

REEL DIMENSIONS

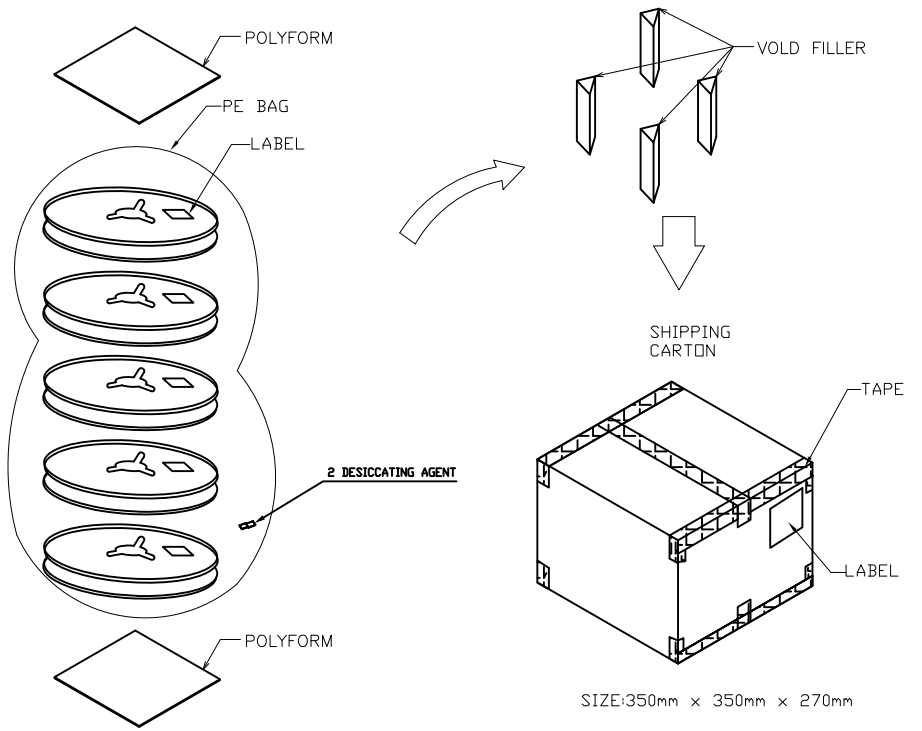



EMBOSSED CARRIER TAPE DIMENSIONS



PACKAGING SPECIFICATION:

- 1. MATERIAL**
 - 1.1 Embossed Carrier Tape: PS
 - 1.2 Top Cover Tape: PE
 - 1.3 Taping Reel: PS
- 2. PACKING**
 - 2.1 Quantity: 1500Piece / 5Reel / 1Carton



REV.				DESCRIPTION				UNLESS OTHERWISE SPECIFIED TOLERANCE			
3	Revise:							ANGLES	ANG.	±5°	 Attend ATTEND TECHNOLOGY INC. www.attend.com.tw
2	Revise:							LINEAR	0.0	±0.3	
1	Revise:								0.00	±0.25	
									0.00	±0.20	
								SCALE	AS SHOWN	UNIT: mm	
								DRAWN	Willis	2011/10/26	DRAWN NAME:
								CHECKED	Angel	2011/10/26	SD Socket Top Mount, Push-Push Type With Card Lock Function
								APPROVED	Ken	2011/10/26	PRODUCT NO.
											104G-TXA0-R-R
								SIZE	A4	REV.	1.0
										FILE NAME	104G-TXA0-R-R_D_1