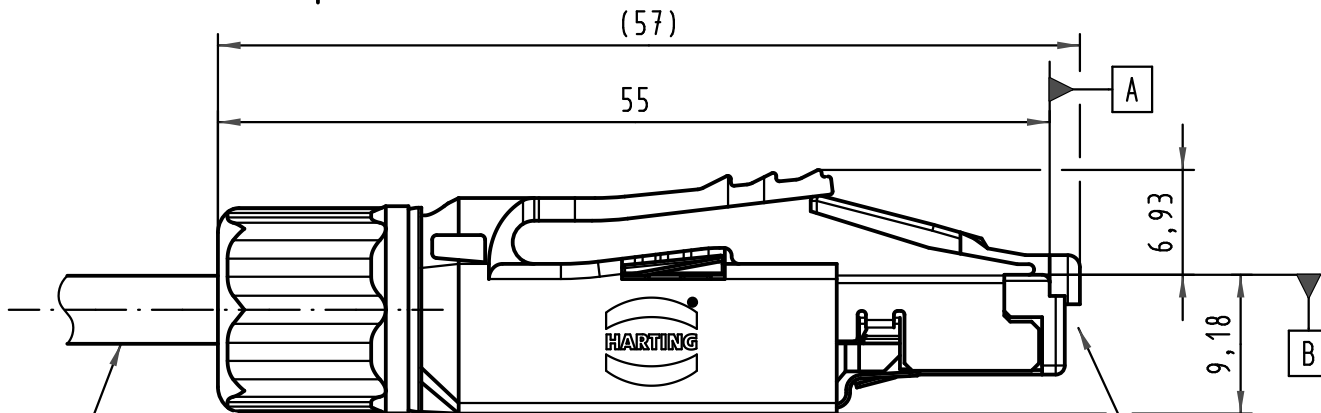
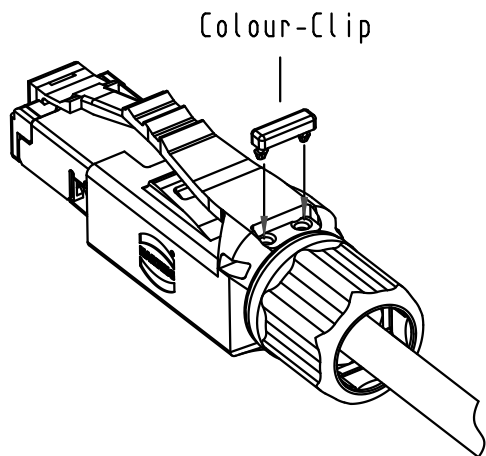


position — 1 8

on request: Colour-Clip with RFID slot
TB 09 45 850 00xx



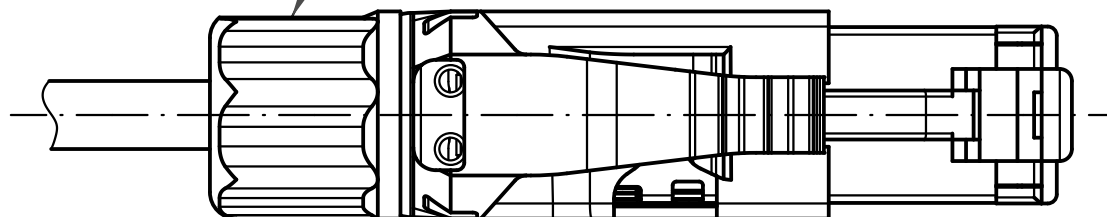
cable $\phi 4,5 - 9\text{mm}$

use for cable $\phi 4,5 - 6,7\text{mm}$

cable reduction adapter TB 09 45 151 0000

mating face acc. to IEC 60603-7

nut M12x1 with cable clamping



data contact plating: Au 1,27 μm (50 $\mu\text{''}$) over nickel

ALL Dimensions in mm Original Size DIN A 4		Techn. Character.			Nicht tolerierte Maßel Free size tolerances	
			Dat.	Name	Maßstab/Scale 2:1	HARTING RJ Industrial® 10G Plug
		Detail.	17.05.10	hsv.		
		Insp.	17.05.10	Li		
		Stand.				
36039		HARTING Electronics GmbH & Co. KG			TB 09 45 151 1560	Blatt/ page
Mod.	Dat.	Name	D-32339 ESPELKAMP			